

Operators Manual



B3683GS
MANUAL, 1058-0 SRS



0 24847 32590 4

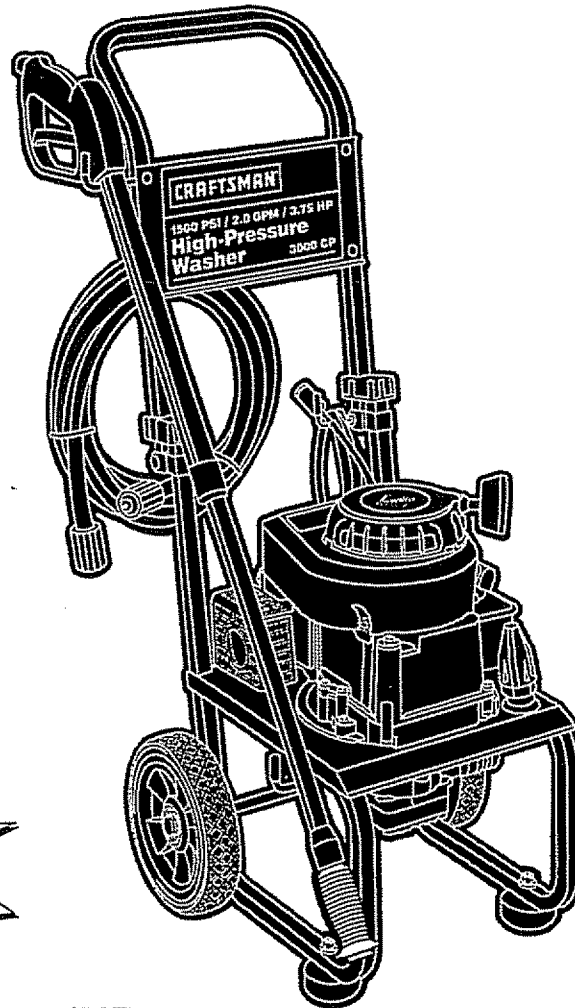
MADE IN USA

DATE CODE
0138

3.75 Horsepower
1500 PSI
2 GPM

HIGH PRESSURE WASHER

Model No. 580.768000



Pressure Washer
Customer Helpline
1-800-222-3136

HOURS: Mon. - Fri. 8 a.m. to 5 p.m. (CST)

CAUTION:

Before using this product, read this manual and follow all its Safety Rules and Operating Instructions.

- Safety
- Assembly
- Operation
- Maintenance
- Parts

Sears, Roebuck and Co., Hoffman Estates, IL 60179

Visit our Craftsman website: www.sears.com/craftsman

TABLE OF CONTENTS

Safety Rules 2-3	Storage 13
Assembly 4	Troubleshooting 14
Operation 5-8	Replacements parts 16-27
Maintenance 9-12	How to order parts and request service Back page

WARRANTY

LIMITED ONE YEAR WARRANTY ON CRAFTSMAN HIGH PRESSURE WASHER

For one year from the date of purchase, when this Craftsman High Pressure Washer is maintained and operated according to the instructions in the owner's manual, Sears will repair, free of charge, any defect in material and workmanship.

This warranty does not cover:

- Expendable items such as spark plugs and air filters, which become worn during normal use.
- Repairs necessary because of operator abuse or negligence, including damage resulting from no water being supplied to pump or failure to maintain the equipment according to the instructions contained in the owner's manual.

WARRANTY SERVICE IS AVAILABLE BY RETURNING THE HIGH PRESSURE WASHER TO THE NEAREST SEARS SERVICE CENTER OR DEALER IN THE UNITED STATES.

This warranty gives you specific legal rights and you may also have other rights, which vary from state to state.

Sears, Roebuck and Co., Dept. 817WA, Hoffman Estates, IL 60179

SAFETY INSTRUCTIONS



WARNING:



The engine exhaust from this product contains chemicals known to the State of California to cause cancer, birth defects, or other reproductive harm.



CAUTION: Before using this product, read this manual and follow all Safety Rules and Operating Instructions.



DANGER: When transporting, setting up, adjusting or making repairs to your pressure washer, **always** disconnect the spark plug wire and place it where it cannot contact the spark plug to prevent accidental starting.

- Engine exhaust gases contain **DEADLY** carbon monoxide gas. This dangerous gas, if breathed in sufficient concentrations, can cause unconsciousness or even death. Operate this equipment only in the open air where adequate ventilation is available.

- Gasoline is highly **FLAMMABLE** and its vapors are **EXPLOSIVE**. Do not permit smoking, open flames, sparks or heat in the vicinity while handling gasoline. Avoid spilling gasoline on a hot engine. Allow unit to cool for 2 minutes before refueling. Comply with all laws regulating storage and handling of gasoline.
- Locate this pressure washer in areas away from combustible materials, combustible fumes or dust.
- The high pressure equipment is designed to be used with Sears authorized parts only. If you use this equipment with parts that do not comply with minimum specifications, the user assumes all risks and liabilities.
- Some chemicals or detergents may be harmful if inhaled or ingested, causing severe nausea, fainting or poisoning. The harmful elements may cause property damage or severe injury.
- Do not allow **CHILDREN** to operate the Pressure Washer at any time.

- Operate engine only at governed speed. Running the engine at excessive speeds increases the hazard of personal injury. Do not tamper with parts which may increase or decrease the governed speed.
- Do not wear loose clothing, jewelry or anything that may be caught in the starter or other rotating parts.
- Before starting the Pressure Washer in cold weather, check all parts of the equipment and be sure ice has not formed there.
- Units with broken or missing parts, or without protective housing or covers should NEVER be operated.
- The muffler and air cleaner must be installed and in good condition before operating the Pressure Washer. These components act as spark arrestors if the engine backfires.
- Check the fuel system for leaks or signs of deterioration such as chafed or spongy hose, loose or missing clamps or damaged tank or cap. Correct all defects before operating the Pressure Washer.
- Do not spray flammable liquids.
- Never allow any part of the body to come in contact with the fluid stream. DO NOT come in contact with a fluid stream created by a leak in the high pressure hose.
- High pressure streams of fluid this equipment produces can pierce skin and its underlying tissues, leading to serious injury and possible amputation.
- Never aim the gun at people, animals or plants.
- High pressure spray can cause paint chips or other particles to become airborne and fly at high speeds.
- Always wear eye protection when you use this equipment or when you are in the vicinity where the equipment is in use.
- Operate the pressure at no more than the PSI fluid pressure rated for your pressure washer.
- Never move the machine by pulling on the high pressure hose. Use the handle provided on the top of the unit.
- Always be certain the spray gun, nozzles and accessories are correctly attached.
- Never use a spray gun which does not have a trigger lock or trigger guard in place and in working order.
- Use a respirator or mask whenever there is a chance that vapors may be inhaled. Read all instructions with the mask so you are certain the mask will provide the necessary protection against inhaling harmful vapors.
- High pressure spray may damage fragile items including glass. Do not point spray gun at glass when in the jet spray mode.
- Keep the hose connected to machine or the spray gun while the system is pressurized. Disconnecting the hose while the unit is pressurized is dangerous.
- Hold the spray gun firmly in your hand before you start the unit. Failure to do so could result in an injury from a whipping spray gun. Do not leave the spray gun unattended while the machine is running.
- The cleaning area should have adequate slopes and drainage to reduce the possibility of a fall due to slippery surfaces.
- Keep water spray away from electric wiring or fatal electric shock may result.
- Do not secure trigger gun in the pull-back (open) position.
- Do not by-pass any safety device on this machine.
- The muffler and engine heat up during operation and remain hot immediately after shutting it down. Avoid contact with a hot muffler or engine or you could be severely burned.
- Operate and store this unit on a stable surface.
- High pressure hose can develop leaks from wear, kinking, abuse, etc. Water spraying from a leak is capable of injecting material into skin. Inspect hose each time before using it. Check all hoses for cuts, leaks, abrasions or bulging of cover, or damage or movement of couplings. If any of these conditions exist, replace hose immediately. Never repair high pressure hose. Replace it with another hose that meets minimum pressure rating of your pressure washer.



LOOK FOR THIS SYMBOL TO POINT OUT IMPORTANT SAFETY PRECAUTIONS. IT MEANS "ATTENTION!!! BECOME ALERT!!! YOUR SAFETY IS INVOLVED."

ASSEMBLY

CARTON CONTENTS

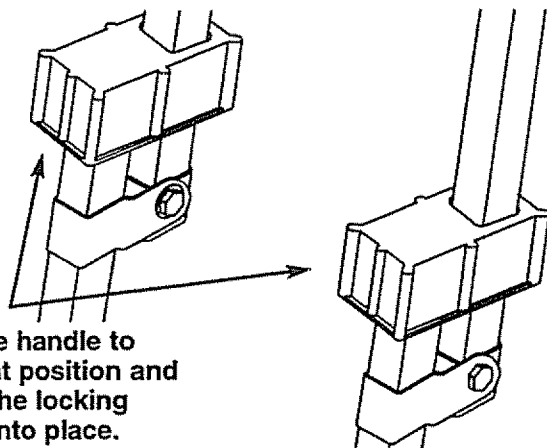
The following parts are shipped loose with your pressure washer:

- Main Unit — pressure washer with wheels, guide handle.
- High Pressure Hose
- Parts Box (which includes items listed below)
 - Spray Gun
 - Nozzle Extension
 - Hi/Lo Adjustable Nozzle.
 - Turbo Nozzle
 - Engine Oil
- Manual Bag (which includes the items listed below)
 - Owner's Manual
 - Nozzle Cleaner Kit
 - "O"-Ring Kit

Become familiar with each piece before assembling the pressure washer. Check all contents against the illustration on Page 5. If any parts are missing or damaged, call the Pressure Washer Helpline at 1-800-222-3136.

TO REMOVE PRESSURE WASHER FROM CARTON

- Remove loose parts and parts box included with pressure washer.
- Slice two corners at guide handle end of carton from top to bottom so the panel can be folded down flat.
- Raise guide handle, secure in place and roll the pressure washer out the open end of the carton.



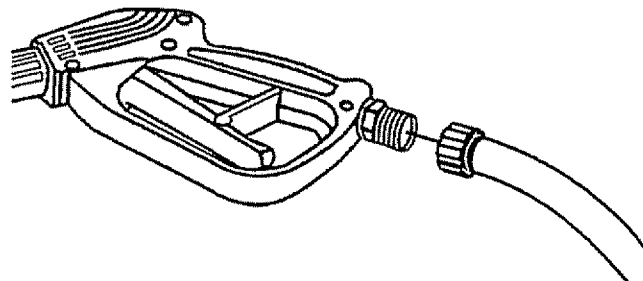
Lift the handle to upright position and slide the locking caps into place.

- Check carton for additional loose parts.

HOW TO SET UP YOUR PRESSURE WASHER

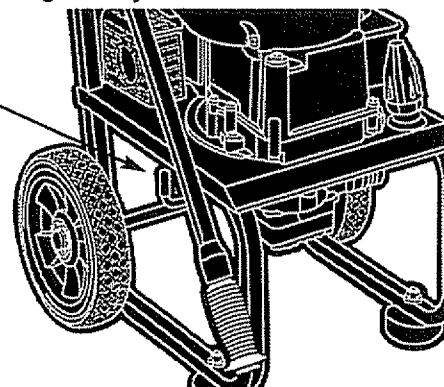
For the most part, your Craftsman High Pressure Washer has been assembled at the factory. You must, however, assemble the spray gun, and attach the high pressure hose to the pump and spray gun.

- Cut the tie wraps on the high pressure hose and connect high pressure hose to gun. Tighten by hand.

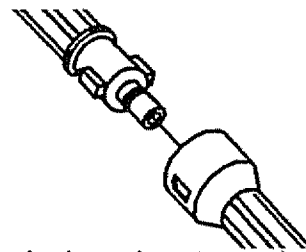


- Remove plastic cap and connect high pressure hose to pump. Tighten by hand.

The high pressure outlet is on this side of the unit below the engine



- Attach nozzle extension to spray gun by aligning the locking tabs on the extension with the grooves in the gun. Push extension inward and twist clockwise to lock in place.

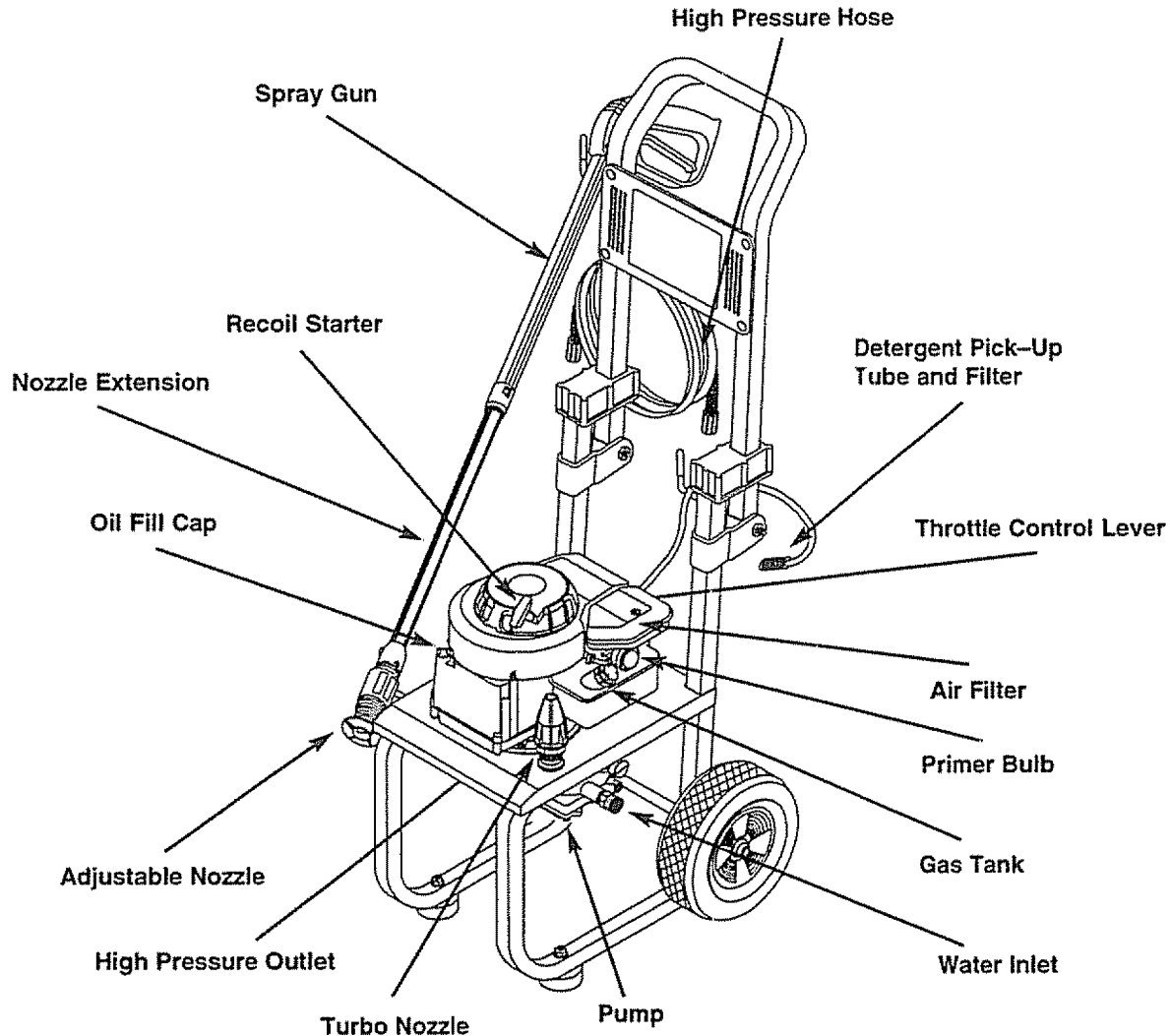


- Attach desired nozzle onto nozzle extension.
- Place assembled spray gun on holder.

OPERATION

KNOW YOUR HIGH PRESSURE WASHER

Read this owner's manual and safety rules before operating your high pressure washer. Compare the illustrations with your high pressure washer to familiarize yourself with the locations of various controls and adjustments.



Adjustable Nozzle – Attaches to the nozzle extension and adjusts for high or low pressure; narrow or fan spray.

Air Filter – Dry type filter element limits the amount of dirt and dust that gets in the engine.

Detergent Pick-Up Tube and Filter – Use to suck detergent from chemical bottle to the low pressure water stream.

Gas Tank – Fill engine with regular unleaded gasoline here.

High Pressure Hose – Connect one end to the spray gun and other end to the high pressure outlet.

High Pressure Outlet – Connection for high pressure hose.

Nozzle Extension – Attaches to the spray gun and nozzles.

Oil Fill Cap – Fill engine with oil here. See page 7 for oil recommendations.

Primer Bulb – Prepares a cold engine for starting.

Pump – Develops high pressure water .

Recoil Starter – Used for starting the engine manually.

Spray Gun – Controls the application of water onto cleaning surface with trigger device. Includes safety latch.

Throttle Control Lever – Sets engine in starting mode and stops running engine.

Turbo Nozzle – Attaches to the nozzle extension and allows you to clean or rinse surfaces at high pressure. You cannot apply detergent using the turbo nozzle.

Water Inlet – Attach the garden hose here using the garden hose connector (not shown).

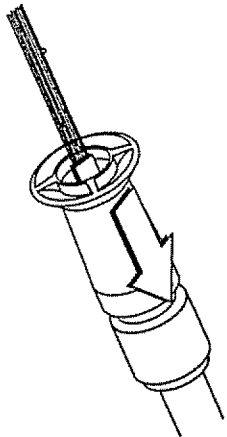
HOW TO USE YOUR PRESSURE WASHER

Read these instructions and learn how to use your pressure washer before you attempt to start your pressure washer. **If you have any problems** operating your pressure washer, please call the pressure washer helpline at **1-800-222-3136**.

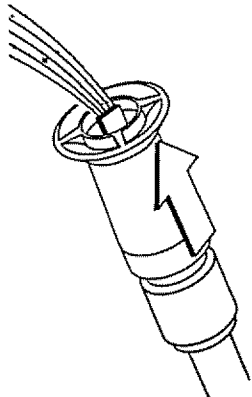
How To Use the Adjustable Nozzle

WARNING: Never adjust spray pattern when spraying. **Never** put hands in front of the nozzle when adjusting the spray.

- Push the nozzle forward for low pressure . Pull the nozzle backward to achieve high pressure.

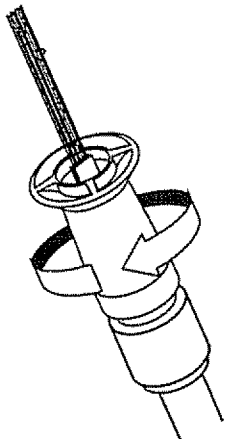


Pull nozzle backward for high pressure.

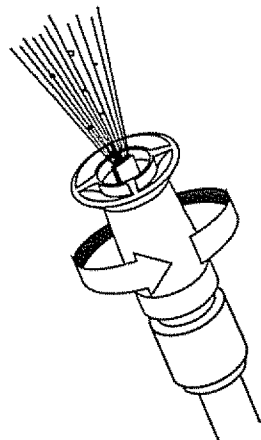


Push nozzle forward for low pressure.

- Twisting the nozzle adjusts the spray pattern from a narrow to a "fan" pattern.



Twist nozzle clockwise for narrow spray.



Twist nozzle counterclockwise for "fan" pattern.

- For most effective cleaning, keep spray nozzle between 8 to 24 inches away from cleaning surface.
- If you get spray nozzle too close, especially using high pressure mode, you may damage the cleaning surface.

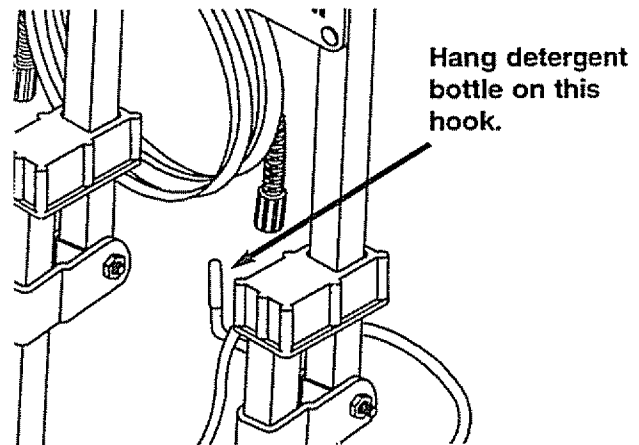
Cleaning With The Adjustable Nozzle

IMPORTANT: Use soaps designed specifically for pressure washers. Household detergents could damage the pump.

IMPORTANT: You must attach all hoses before you start the engine. Starting the engine without all the hoses connected and without the water turned ON will damage the pump.

To apply detergent follow these steps:

- Prepare the detergent solution as required by the manufacturer.
- Hang the detergent solution on the hook on the handle.



- Place small filter on the clear, chemical injection tube into the detergent container.
- Push the adjustable nozzle forward to low pressure mode. **Detergent cannot be applied with nozzle in high pressure position.**
- Review the use of the adjustable nozzle.
- Connect garden hose to water inlet (see "TO START PRESSURE WASHER" on page 8), check that high pressure hose is connected to spray gun and pump (see ASSEMBLY on page 4), and start engine.
- For cleaning, start at lower portion of area to be washed and work upward, using long, even overlapping strokes.
- Allow the detergent to soak in between 3-5 minutes before washing and rinsing. Reapply as needed to prevent surface from drying.

Rinsing with the Adjustable Nozzle

⚠ WARNING: Be extremely careful if you must use the pressure washer from a ladder, scaffolding or any other relatively unstable location. When you press the trigger, the recoil from the initial spray could force you to fall, or if you are too close to the cleaning surface, high pressure could force you off a climbing apparatus.

- Hook up the water supply and start your pressure washer (see TO START THE PRESSURE WASHER on page 8).
- Pull adjustable nozzle backward to get high pressure mode. Wait for detergent to clear. Detergent will not flow when in the high pressure mode.
- When detergent has cleared you may want to expand the spray pattern for a more gentle rinsing action. Start at top of area to be rinsed, working down with same action as for cleaning.

⚠ CAUTION: Test a small, hidden area of the surface to be cleaned. Make sure there is no damage caused by the high pressure spray.

How to Use the Turbo Nozzle

The turbo nozzle rotates the high pressure stream in a rapid circular pattern. The high pressure spray is most effective when the tip of the wand is held between 8 to 24 inches from the surface being cleaned.

Always start the turbo nozzle at a distance, gradually getting closer to the surface until you get the cleaning force you want.

⚠ CAUTION! The turbo nozzle produces an extremely high pressure spray which is capable of removing paint and cutting holes through surfaces if held too close. Always make sure the surface you will clean will not be damaged by the high pressure spray by testing in a hidden area.

Note: You cannot apply detergent with the turbo nozzle.

To attach turbo nozzle to spray gun:

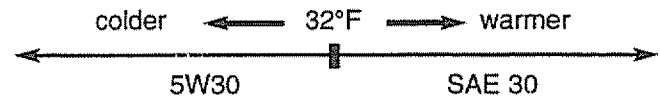
- Remove any accessories attached to the nozzle extension.
- Attach turbo nozzle to nozzle extension.
- Connect the nozzle extension to the spray gun by aligning the locking tabs on the accessory adapter with the grooves in the gun. Push nozzle inward and twist to lock in place.

BEFORE STARTING THE PRESSURE WASHER

To operate the engine you will need to do the following:

Add Engine Oil

Only use high quality detergent oil rated with API service classification SF or SG. Select the oil's SAE viscosity grade according to your expected operating temperature:



Although multi-viscosity oils (5W30, 10W30, etc.) improve starting in cold weather, these multi-viscosity oils will result in increased oil consumption when used above 32°F. Check your engine oil level more frequently to avoid possible damage from running low on oil.

- Place pressure washer on a level surface
- Clean area around oil fill and remove oil dipstick.
- Wipe dipstick clean.
- Pour oil from enclosed bottle into the oil fill opening until oil reaches **full** mark on the dipstick. Stop and check the oil level periodically. **Do not overfill.**
- Install oil dipstick, hand tighten securely.

Add Gasoline

- Use **regular unleaded** gasoline with the pressure washer engine. Fuel tank capacity is 1 U.S. quart.

⚠ DANGER: Never fill fuel tank indoors. Never fill fuel tank when engine is running or hot. **Do not** smoke when filling fuel tank.

⚠ CAUTION: Do not overfill the fuel tank. Always leave room for expansion.

⚠ CAUTION: Experience indicates that alcohol blended fuels (called gasohol or using ethanol or methanol) can attract moisture which leads to separation and formation of acids during storage. Acidic gas can damage the fuel system of an engine while in storage.

To add fuel to engine:

- Clean area around fuel cap, remove cap.
- Add **regular unleaded** gasoline, slowly, to the fuel tank.

Important: Never mix oil with gasoline.

- Install fuel cap and wipe up any spilled gasoline.

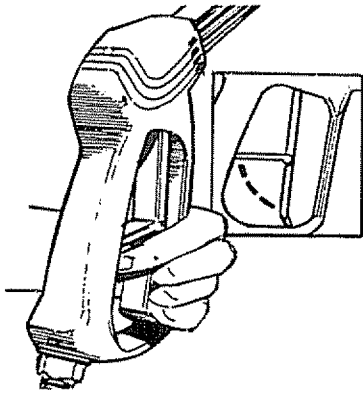
TO START YOUR PRESSURE WASHER

- Place the pressure washer in an area close enough to an outside water source that can flow at a rate of at least 2.2 gallons per minute. Connect a garden hose to the water spout.
- Check that the high pressure hose is tightly connected to the spray gun and to the pump. See ASSEMBLY section on page 4 for illustrations.
- Check inlet screen on the water inlet. If the screen is dirty, clean before attaching a garden hose. If the screen is damaged, **do not** connect to the garden hose. Replace with screen provided in maintenance kit or call 1-800-366-PART to order a replacement inlet screen.
- Attach the the garden hose to the water inlet.
- **Turn on the water.**

Important: Do not run pump without the water supply connected and turned on. You must follow this caution or the pump will be damaged.

Purge air from pump:

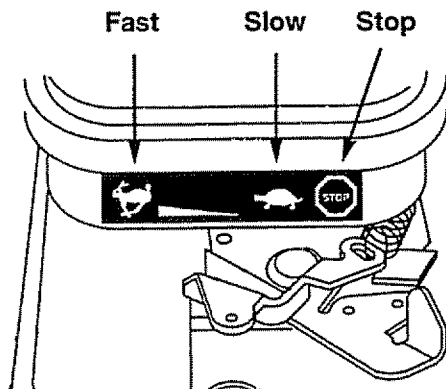
- Attach desired nozzle onto the nozzle extension.
- Remove the nozzle extension from the spray gun.
- **Pull the trigger on the spray gun and hold until a steady stream of water appears.**
- Engage the safety latch on the spray gun.



- Attach nozzle extension onto spray gun.

To start the engine for the first time:

- Move the throttle control lever to the "Fast" position.



- Push primer bulb firmly (5) times.
- Grasp rope handle and pull slowly until you feel some resistance. Then pull cord rapidly to overcome compression, prevent kickback and start the engine. Let rope return to starter **slowly**.

Note: Always keep the Throttle Control Lever in the 'Fast' position when operating the pressure washer.

To Start Engine Thereafter:

- Make sure the engine throttle control is in the "Fast" position.
- Press the primer bulb 3 times. **For a warm engine, do not prime.**
- Grasp rope handle and pull slowly until you feel some resistance. Then pull cord rapidly to overcome compression, prevent kickback and start the engine. Let rope return to starter **slowly**.
- If engine fails to start, pull trigger on gun until a steady stream of water appears, press the primer bulb three more times and pull starter.

Note: Always keep the Throttle Control Lever in the 'Fast' position when operating the pressure washer.

HOW TO STOP YOUR PRESSURE WASHER

- Move the throttle control lever to the 'Slow' position.
- Wait for the engine to idle down.
- Move the throttle control lever to the 'Stop' position.
- Simply shutting off the engine will not release pressure in the system. **Squeeze trigger on the spray gun to relieve pressure in the hose.**

Note: A small amount of water will squirt out when you release the pressure.

SIPHONING

We recommend that you **DO NOT** siphon standing water for your water supply. Contaminated, brackish or dirty water can damage the pump. Connect only to household water supply.

TIPS

- Never use the garden hose inlet to siphon detergent or wax.
- If you have the spray nozzle too far away, the cleaning will not be as effective.

MAINTENANCE

CUSTOMER RESPONSIBILITIES

MAINTENANCE SCHEDULE FILL IN DATES AS YOU COMPLETE REGULAR SERVICE MAINTENANCE TASK	HOURLY OPERATING INTERVAL			SERVICE DATES			
	Before Each Use	Every 25 Hours or Yearly	Every 100 Hours or Yearly				
PRESSURE WASHER							
Check/clean water inlet screen on quick-connect.	X†						
Check high pressure hose.	X						
Check detergent hose.	X						
Check spray gun and assembly for leaks.	X						
Purge pump of air and contaminants.	X						
ENGINE							
Check oil level.	X						
Change engine oil.		X*					
Service air cleaner.		X**					
Clean/replace spark plug.			X				
Prepare for storage.	Prepare unit for storage if it is to remain idle for longer than 30 days.						

† Clean if clogged. Replace if perforated or torn.

* Change oil after the first (5) operating hours and every 25 hours thereafter. Change sooner when operating under dirty or dusty conditions.

** Replace more often under dirty or dusty conditions.

PRODUCT SPECIFICATIONS

Pressure Washer Specifications

PRESSURE	1500 psi
FLOW RATE.....	2 GPM
DETERGENT MIX....	Use undiluted detergent
WATER SUPPLY	
TEMPERATURE	Not to Exceed 140°F

Engine Specifications

ENGINE MODEL.....	Briggs & Stratton
RATED HORSEPOWER	3.75
SPARK PLUG: Type: ...	Champion RJ-19LM or equivalent. Set Gap to: ...0.030 inch (0.76mm)
GASOLINE CAPACITY.....	1.0 U.S. quart
OIL	SAE 30 weight
SOLID STATE	0.006 – .010 inch
IGNITION AIR GAP	

In the State of California a spark arrestor is required by law (Section 4442 of the California Public Resources Code). Other states may have similar laws. Federal laws apply on federal lands.

Note: If you equip the engine of your pressure washer with a spark arrestor muffler, the spark arrestor must be maintained in effective working order by the owner/operator.

You can order a spark arrestor (P/N 398067) through your Sears Service Center.

GENERAL RECOMMENDATIONS

The warranty of the high pressure washer does not cover items that have been subjected to operator abuse or negligence. To receive full value from the warranty, operator must maintain high pressure washer as instructed in this manual.

Some adjustments will need to be made periodically to properly maintain your high pressure washer.

All adjustments in the Service and Adjustments section of this manual should be made at least once each season.

- Once a year you should clean or replace the spark plug and replace the air filter and check the gun, nozzle extension and nozzles for wear. A clean spark plug and new air filter assure proper fuel-air mixture and help your engine run better and last longer.

BEFORE EACH USE

- Check water inlet screen for damage.
- Check high pressure hose for leaks.
- Check detergent inlet hose and filter for damage.
- Check gun and nozzles for leaks.
- Purge pump of air and contaminants.
- Check engine oil level.

PRESSURE WASHER MAINTENANCE

Check and Clean Inlet Screen

Examine inlet screen. Clean if it is clogged or replace if it is torn.

Check High Pressure Hose

High pressure hose can develop leaks from wear, kinking, or abuse. Inspect hose each time before using it. Check for cuts, leaks, abrasions, bulging of cover, or damage or movement of couplings. If any of these conditions exist, replace hose immediately.



DANGER: Never repair a high pressure hose. **Replace** with hose that meets the minimum pressure rating of your pressure washer

Check Detergent Hose

Examine the filter on the detergent hose and clean if clogged. Hose should fit tightly on barbed fitting. Examine hose for leaks or tears. Replace the filter or hose if either is damaged.

Check Gun and Nozzle Extension

Examine hose connection to gun and make sure it is secure. Test trigger by pressing it and making sure it springs back into place when you release it. Put safety latch in UP position and test trigger. You should not be able to press trigger. Replace gun immediately if it fails any of these tests.

Purge Pump of Air and Contaminants

To remove the air from the pump, follow these steps:

- Set up the pressure washer as described in the ASSEMBLY section on page 4 and connect the water supply.
- Remove the nozzle extension from the gun.
- Pull the trigger on the gun and hold until a steady stream of water appears.

To remove the contaminants from the pump, follow these steps:

- Set up the pressure washer as described in the ASSEMBLY section, and connect the water supply.
- Remove the nozzle attachment from the gun.
- Start the engine according to instructions in the OPERATION section on page 5.

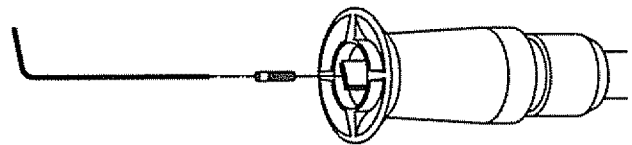
- Pull the trigger on the gun and hold.
- When the water supply is steady and constant, engage the safety latch and refasten the nozzle attachment.

Nozzle Maintenance

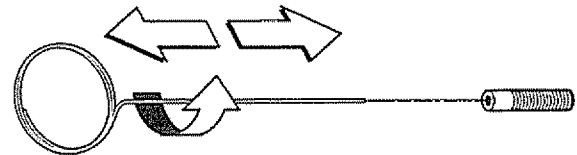
If the nozzle becomes restricted or clogged with foreign materials, such as dirt, excessive pump pressure may develop. A partially clogged nozzle can cause a pulsing sensation during use. This generally is not a pump related problem, but rather a clogged or partially restricted nozzle.

If the nozzle becomes clogged or partially restricted, immediately clean the nozzle with the kit included with your pressure washer by following these instructions:

- Shut off the engine and turn off the water supply.
- Separate the nozzle extension from the gun.
- Rotate to stream setting.
- Remove nozzle from the end of the wand using the allen wrench included with the kit or a 2mm or 5/64 allen wrench.

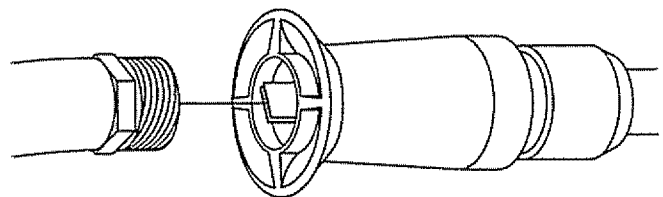


- Use the wire included in the kit or a small paper clip to free the foreign materials clogging or restricting the nozzle.



Insert wire into nozzle and turn back and forth to clear obstruction.

- Remove additional debris by back flushing water supply through wand. Back flush between 30 to 60 seconds. Turn wand to stream spray and move nozzle from low to high pressure while flushing.



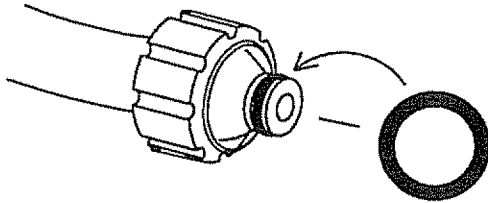
- Reinstall nozzle into wand. DO NOT overtighten.
- Reconnect wand extension to spray gun.
- Reconnect the water supply, turn ON the water, and start the engine.
- Test the pressure washer by operating with nozzle in the high and the low pressure positions.

O-Ring Maintenance

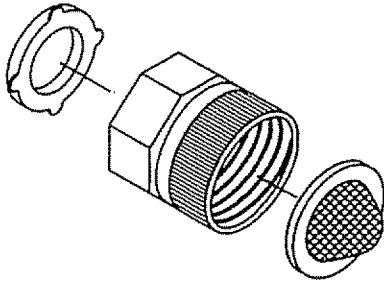
Through the normal operation of your pressure washer, O-Rings, which keep the connections of the hoses and gun tight and leak-free may become worn or damaged. Provided with your pressure washer is an O-Ring Maintenance Kit which provides replacement O-Rings, Rubber Washer and water inlet screen.

Parts in the O-Ring Kit Include:

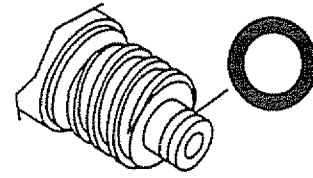
- O-Rings, yellow, (p/n B2264) for the ends of the high pressure hose.



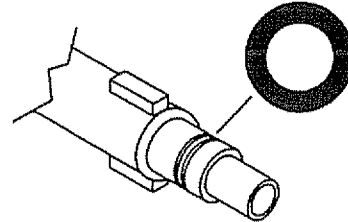
- 1 rubber washer (p/n B2385) for the inside of the garden hose connector.
- 1 water inlet screen (p/n B2384) for the garden hose connector.



- O-Ring, light green, (99794) for the male accessory connections.



- O-Ring, red, (B2726) for the nozzle extension connection.



To remove a worn or damaged O-Ring:

- Use a small flathead screwdriver to get underneath the o-ring and pry it off.

ENGINE MAINTENANCE

Checking Oil Level

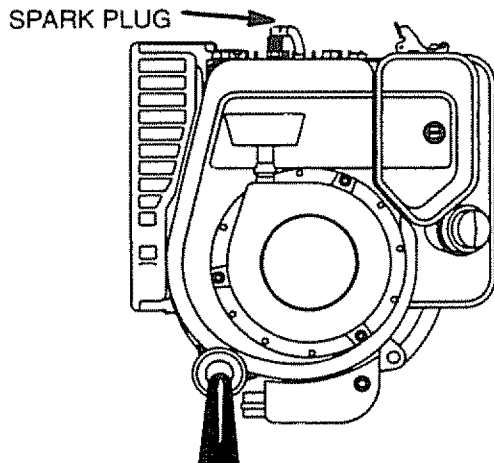
Oil level should be checked prior to each use or at least every (5) hours of operation. Keep oil level maintained.

Changing Oil

Change engine oil after the first (5) hours and every (25) hours thereafter. If you are using your pressure washer under extremely dirty or dusty conditions, or in extremely hot weather, change oil more often.

Change oil while engine is still warm from running, as follows:

- Drain fuel tank by running pressure washer until fuel tank is empty.
- Clean area around oil fill, remove oil fill cap/dipstick. Wipe dipstick clean.
- Tip your pressure washer to drain oil from the oil fill tube into a suitable container making sur you tip your unit away from the spark plug.. When crankcase is empty, return the pressure washer to upright position.



- Fill engine crankcase with recommended oil until oil level is at **FULL** point on dipstick. Do not overfill above that mark. **POUR SLOWLY.**
- When engine crankcase is filled to proper level, install and tighten oil cap/dipstick.

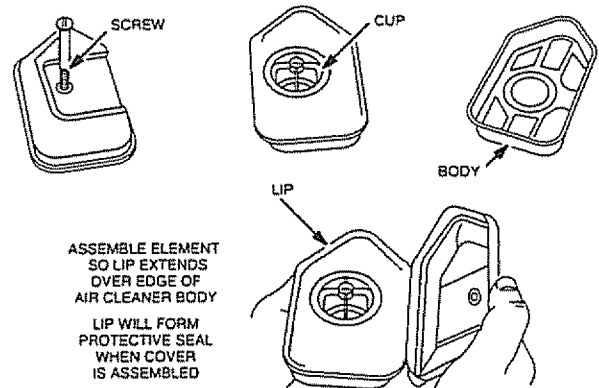
Service Air Cleaner

Your engine will not run properly and may be damaged if you run it with a dirty air cleaner.

Clean the air cleaner once every (25) hours of operation or once each year, whichever comes first. Clean more often if operating under dirty or dusty conditions. Replacements are available at your local Sears Authorized Service Center.

To clean the air cleaner, follow these steps:

- Remove screw on the air cleaner cover.



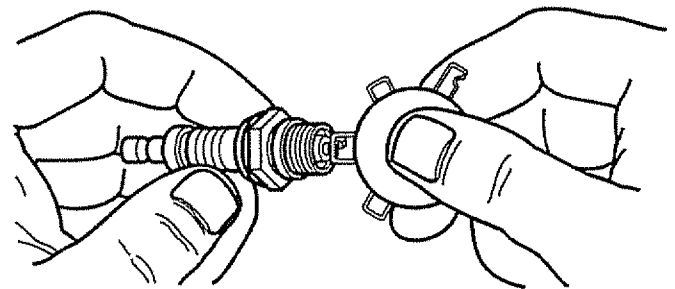
- Remove dirty air cleaner carefully to prevent debris from falling into carburetor.
- Take cleaner apart and clean all parts.
To service foam element, wash in liquid detergent and water. Squeeze dry in a clean cloth. **Saturate** in clean engine oil. Squeeze in clean cloth to remove all excess oil. Replace foam element if very dirty or damaged.
- Reassemble all parts and fasten securely to the carburetor with screw.

Clean / Replace Spark Plug

Clean or replace the spark plug yearly or every 100 hours of operation.

CAUTION: Disconnect spark plug wire from spark plug and keep wire away from spark plug.

- Clean area around spark plug.
- Remove and inspect spark plug.
- Replace spark plug if the electrodes are pitted, burned or porcelain is cracked. For replacement use Champion RJ-19LM only.
- Check electrode gap with wire feeler gauge and set gap at .030" if necessary.



- Install spark plug, tighten securely.

Carburetor

If you think your carburetor needs adjusting, see your nearest Sears Service Center. Engine performance should not be affected at altitudes up to 700 feet. For operation at higher elevations, contact your nearest Sears Service Center.

STORAGE

AFTER EACH USE

Water should not remain in the unit for long periods of time. Sediments of minerals can deposit on pump parts and “freeze” pump action. Follow these procedures after every use:

- Flush detergent hose by placing the injector filter into a pail of clear water while running Pressure Washer with nozzle in low pressure mode. Flush until you can see clear water running through the tube.
- Shut off the engine and let it cool, then remove all hoses.



CAUTION: Be sure the Run/Stop Lever is in the “Stop” position before you continue. If you start the engine without the proper water supply connected, you can damage the pump.

- Empty the pump of all pumped liquids by pulling recoil handle about 6 times with the Run/Stop Lever in the “Stop” position. This should remove most of the liquid in the pump.
- Coil the high pressure hose and inspect it for damage. Cuts in the hose or fraying of it could result in leaks and loss of pressure. Should any damage be found, replace the hose. DO NOT attempt to repair a damaged hose. Replace the hose with the genuine Craftsman part.
- Drain water from hose and properly hang it on the wire support provided on the guide handle.
- Store in a clean, dry area.



DANGER: Never store the engine with fuel in the gas tank indoors or in enclosed, poorly ventilated areas where fumes may reach an open flame, a spark, or pilot light.

WINTER STORAGE



CAUTION: You must protect your unit from freezing temperatures. Failure to do so will permanently damage your pump and render your unit inoperable.

To protect the unit from freezing temperatures:

- Draw RV–Antifreeze (antifreeze without alcohol) into the pump by pouring the washer fluid into a 3-foot section of garden hose connected to the inlet adapter and pulling the recoil handle twice.

LONG TERM STORAGE

If you do not plan to use the Pressure Washer for more than 30 days, you must prepare the engine for long term storage.

Note: As always, prepare the pressure washer pump as you would after each use.

It is important to prevent gum deposits from forming in essential fuel system parts such as the carburetor, fuel filter, fuel hose or tank during storage. Also, experience indicates that alcohol-blended fuels (called gasohol, ethanol or methanol) can attract moisture which leads to separation and formation of acids during storage. Acidic gas can damage the fuel system of an engine while in storage.

Protect Fuel System



DANGER: Drain fuel into approved container outdoors, away from open flame. Be sure engine is cool. Do not smoke.

- Remove all gasoline from the fuel tank to prevent gum deposits from forming on these parts and causing possible malfunction of engine.
- Run engine until engine stops from lack of fuel. Make sure you have water supply to pump inlet connected and turned ON.

Change Oil

While engine is still warm, drain oil from crankcase. Refill with recommended grade. (See Changing Oil on Page 12.)

Oil Cylinder Bore

- Remove spark plug and pour about 1 ounce (30 ml) of engine oil into the cylinder. Cover spark plug hole with rag. Crank slowly to distribute oil.



CAUTION: Avoid spray from spark plug hole when cranking engine slowly.

- Install spark plug. Do not connect spark plug wire.

OTHER

- Do not store gasoline from one season to another.
- Replace your gasoline can if your can starts to rust. Rust and/or dirt in your gasoline will cause problems.
- If possible, store your unit indoors and cover it to give protection from dust and dirt. **BE SURE TO EMPTY THE FUEL TANK.**
- Cover your unit with a suitable protective cover that does not retain moisture.

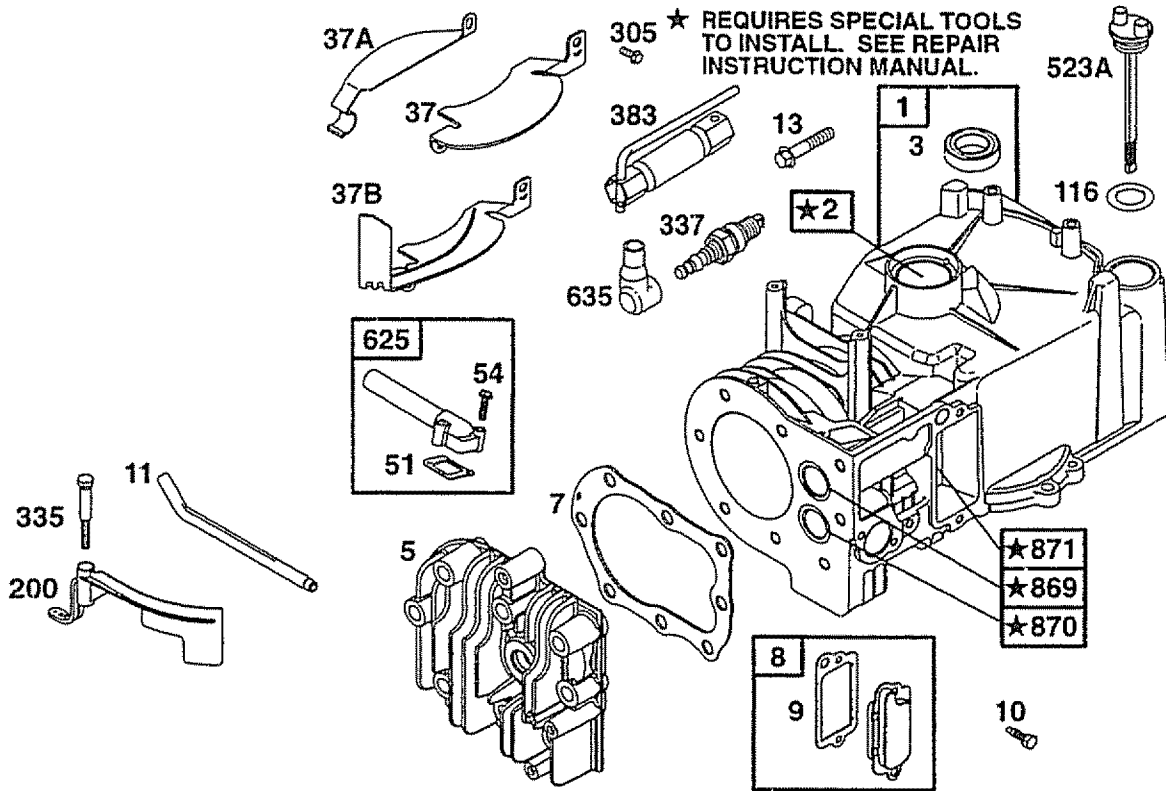
IMPORTANT: NEVER cover your pressure washer while engine and exhaust area are warm.

TROUBLESHOOTING

PROBLEM	CAUSE	CORRECTION
<p>Pump has following problems: failure to produce pressure, or erratic pressure, chattering, loss of pressure, low water volume.</p>	<ol style="list-style-type: none"> 1. Nozzle in low pressure mode. 2. Water inlet is blocked. 3. Inadequate water supply 4. Inlet hose is kinked or leaking 5. Clogged water inlet screen. 6. Water supply is over 140°F. 7. Outlet hose is blocked. 8. Outlet hose leaks. 9. Gun leaks. 10. Nozzle is obstructed. 11. Pump is faulty. 	<ol style="list-style-type: none"> 1. Pull nozzle backward for high pressure mode. 2. Clear inlet 3. Provide adequate water flow at least 2 gpm. 4. Straighten inlet hose, patch leak. 5. Replace / clean water inlet screen. 6. Provide cooler water supply. 7. Clear blocks in outlet hose. 8. Replace outlet hose if leaking. 9. Replace o-ring or gun if necessary. 10. Clear nozzle. 11. Contact Sears Service Department.
<p>Detergent fails to mix.</p>	<ol style="list-style-type: none"> 1. Detergent line is not submerged. detergent. 2. Chemical filter is clogged. 3. Nozzle is in high pressure mode. 	<ol style="list-style-type: none"> 1. Insert chemical line into detergent. 2. Clean or replace filter/detergent line. 3. Push nozzle forward for low pressure mode.
<p>Engine runs good when not spraying but dies when you begin to spray.</p>	<p>Engine speed is too slow.</p>	<p>Contact Sears Service Department.</p>
<p>Engine will not start; or starts and runs rough</p>	<ol style="list-style-type: none"> 1. Dirty air cleaner 2. Out of gasoline. 3. Stale gasoline. 4. Spark plug wire not connected to spark plug. 5. Bad spark plug. 6. Water in gasoline. 7. Overchoking or flooded 8. Excessively rich fuel mixture. 9. Intake valve stuck open or closed. 10. Engine has lost compression. 	<ol style="list-style-type: none"> 1. Clean or replace air cleaner. 2. Fill fuel tank. 3. Drain gas tank; fill with fresh fuel. 4. Connect wire to spark plug. 5. Replace spark plug. 6. Drain gas tank; fill with fresh fuel. 7. Set engine throttle control lever to fast position, choke in run position. 8. Contact Sears Service Department. 9. Contact Sears Service Department. 10. Contact Sears Service Department.
<p>Engine shuts down during operation</p>	<ol style="list-style-type: none"> 1. Out of gasoline. 2. Air filter dirty 	<ol style="list-style-type: none"> 1. Fill fuel tank. 2. Replace Air filter.
<p>Engine lacks power.</p>	<p>Dirty air filter.</p>	<p>Replace air filter.</p>

PARTS

Craftsman 1800 PSI High Pressure Washer 580.768000
 Briggs & Stratton 3.75HP Sprint, Model 98902-2228-E2

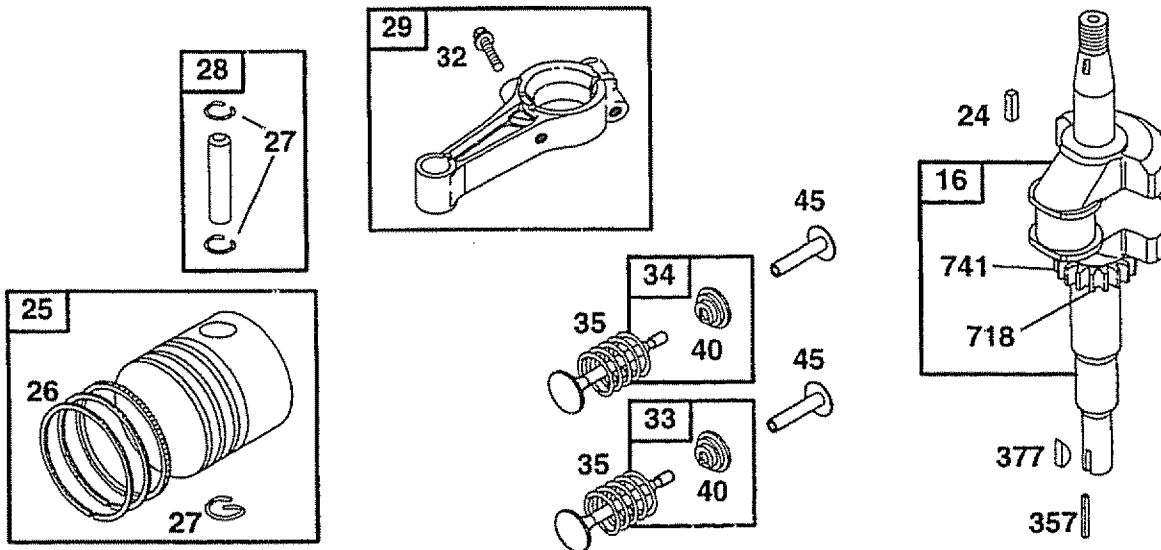


REF. NO.	PART NO.	DESCRIPTION	REF. NO.	PART NO.	DESCRIPTION	REF. NO.	PART NO.	DESCRIPTION
1	399164	Cylinder Assembly	116	*271485	Seal-O Ring			Note 63709 Bushing-Guide (Intake)
2	293708	Bushing	200	281024	Blade-Governor			
3	*299819	Seal-Oil	284	94073	Screw-Shoulder			
5	214277	Head-Cylinder	305	94786	Screw-Hex			
		Note	335	94732	Screw-Shoulder			
		213942 Head-Cylinder (Used Before Code Date 96080100).	337	802592	Plug-Spark (Resistor Type)			
7	272694	Gasket-Cylinder Head			Note			
		Note			492167 Plug-Spark			
		*272536 Gasket-Cylinder Head (Used Before Code Date 96080100).	383	89838	Wrench-Spark Plug			
8	495785	Breather Assembly (Includes Gasket)	523A	281081	Dipstick			
9	*272602	Gasket-Breather	625	298775	Manifold-Intake			
10	94621	Screw-Hex.	635	66538	Boot-Spark Plug			
11	231774	Tube-Breather						
13	93111	Screw-Hex.	869	211172	Seat-Valve (Intake)			
37	223150	Guard-Flywheel	870	211291	Seat-Valve (Exhaust)			
37A	224819	Guard-Flywheel	871	231348	Bushing-Guide (Exhaust)			
37B	225013	Guard-Flywheel						
51	*270345	Gasket-Intake						
54	93485	Screw-Hex.						

* Included in Gasket Set-Part No. 298989.

Assemblies include all parts shown in frames.

Craftsman 1800 PSI High Pressure Washer 580.768000
 Briggs & Stratton 3.75HP Sprint, Model 98902-2228-E2

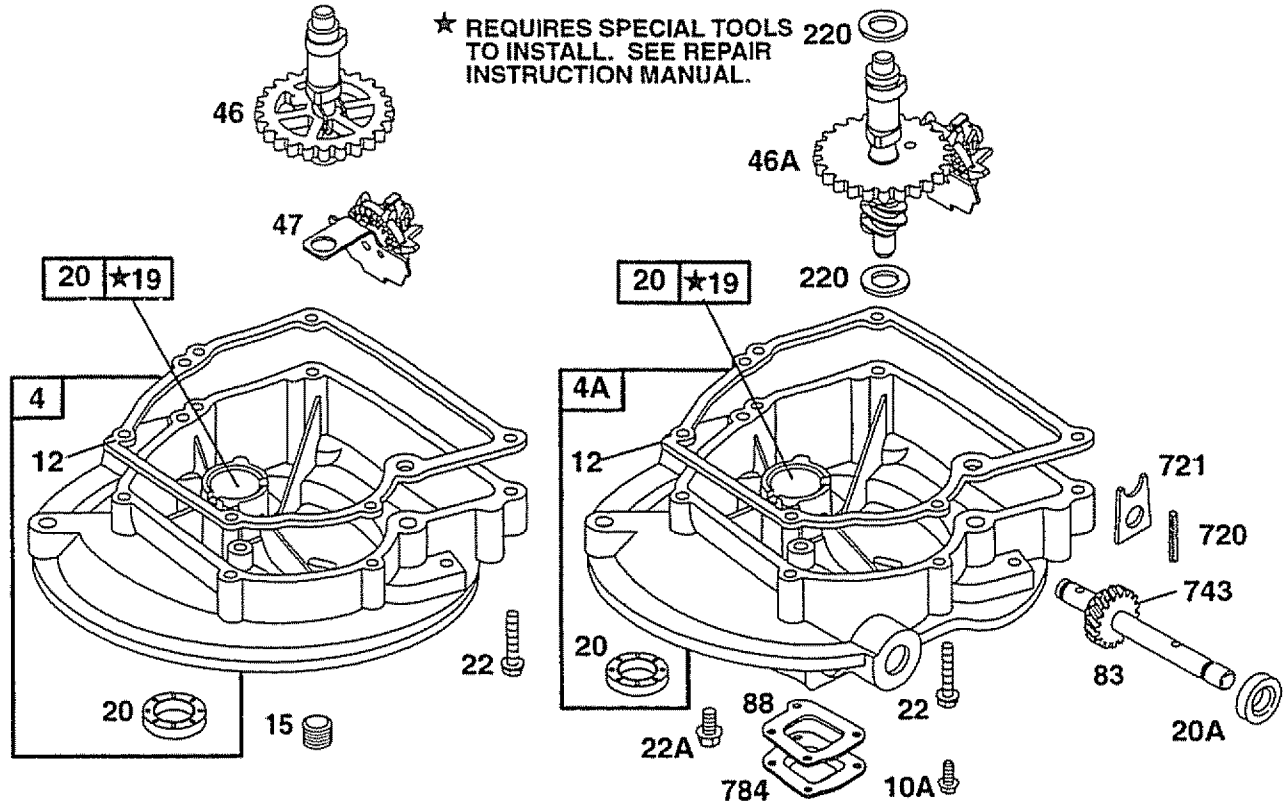


REF. NO.	PART NO.	DESCRIPTION	REF. NO.	PART NO.	DESCRIPTION	REF. NO.	PART NO.	DESCRIPTION
16	492748	Crankshaft	24	222698	Key-Flywheel	27	26026	Lock-Piston Pin
			25	498668	Piston Assembly (Standard)	28	298909	Pin-Piston (Standard)
				498669	Piston Assy. (.010" O.S.)		298908	Pin-Piston (.005" O.S.)
				498670	Piston Assy. (.020" O.S.)	29	294201	Rod-Connecting
				498671	Piston Assy. (.030" O.S.)		296079	Rod-Connecting (.020" Undersize)
			26	498680	Ring Set (Standard)	32	94699	Screw-Connecting Rod
				498681	Ring Set (.010" O.S.)	33	296676	Valve-Exhaust
				498682	Ring Set (.020" O.S.)	34	296677	Valve-Intake
				498683	Ring Set (.030" O.S.)	35	260552	Spring-Valve
						40	93312	Retainer-Valve
						45	230173	Tappet-Valve
						718	499047	Pin-Crankshaft
						357	91539	Key-Drive Pulley
						377	93065	Key-Woodruff
						741	261533	Gear-Timing

* Included in Gasket Set-Part No. 298989.

Assemblies include all parts shown in frames.

**Craftsman 1800 PSI High Pressure Washer 580.768000
Briggs & Stratton 3.75HP Sprint, Model 98902-2228-E2**

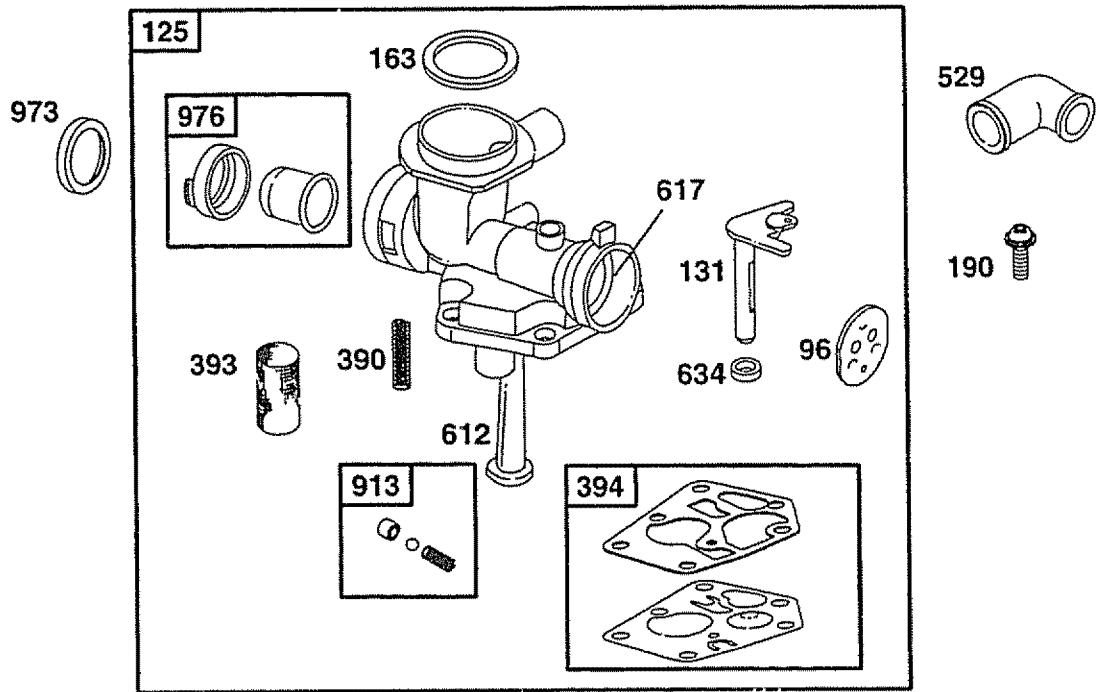


REF. NO.	PART NO.	DESCRIPTION	REF. NO.	PART NO.	DESCRIPTION	REF. NO.	PART NO.	DESCRIPTION
4	395384	Sump-Engine	46A	396197	Gear-Cam (Clockwise)	88	*270328	Gasket-Cover
4A	395390	Sump-Engine Include(s): 391484 Seal-Oil	47	491688	Slinger-Oil	220	68938	Washer-Thrust
10A	94658	Screw-Hex. Note 94621 Screw-Hex. (Used Before Code Date 96112000).	83	230831	Shaft-Aux. Drive	720	93474	Pin-Shaft
12	*270833	Gasket-Crankcase (.015" Thick, Standard)				721	221779	Stop-Shaft
		*270895 Gasket-Crankcase (.005" Thick)				743	231278	Gear-Drive
		*270896 Gasket-Crankcase (.009" Thick)				784	221780	Cover-Gear
15	94720	Plug-Oil Drain						
19	293709	Bushing (Plain)						
20	*391483	Seal-Oil						
20A	391484	Seal-Oil						
22	94682	Screw-Hex.						
22A	93415	Screw-Hex.						
46	493747	Gear-Cam						

* Included in Gasket Set-Part No. 298989.

Assemblies include all parts shown in frames.

**Craftsman 1800 PSI High Pressure Washer 580.768000
Briggs & Stratton 3.75HP Sprint, Model 98902-2228-E2**

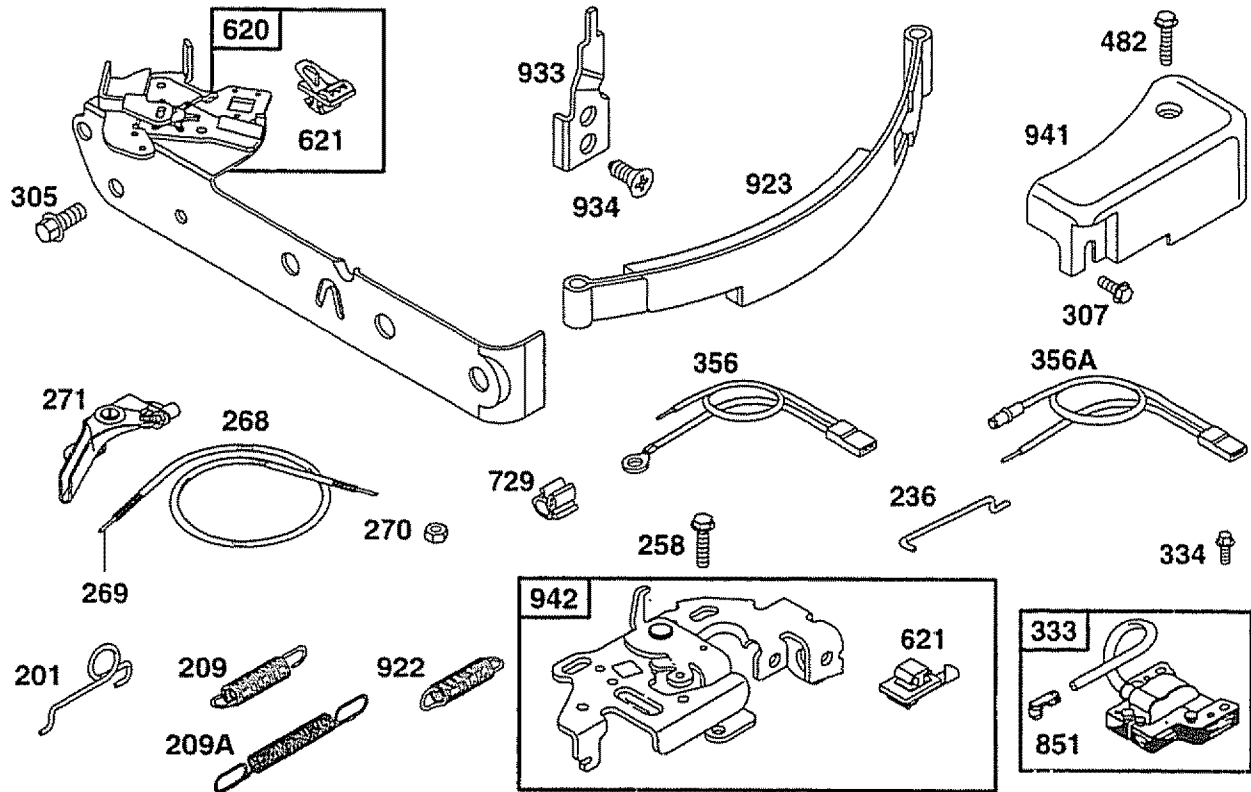


REF. NO.	PART NO.	DESCRIPTION	REF. NO.	PART NO.	DESCRIPTION	REF. NO.	PART NO.	DESCRIPTION
96	224412	Valve—Throttle	190	93440	Screw—Phillips	617	270344	Seal—Intake Manifold
125	498809	Carburetor	390	262764	Spring—Choke	634	280566	Washer—Foam
		Note			Diaphragm	913	494409	Seat—Check Valve
		494775 Carburetor	393	262734	Screen—Carburetor	973	281661	Ring—Trim
		(Used Before Code	394	495770	Diaphragm—			(Primer Bulb)
		Date 96052000).			Carburetor	976	494408	Primer—Carburetor
131	281047	Shaft—Throttle	529	67838	Grommet			
163	*271139	Gasket—Air Cleaner	612	496046	Tube—Pickup			

* Included in Gasket Set—Part No. 298989.

Assemblies include all parts shown in frames.

**Craftsman 1800 PSI High Pressure Washer 580.768000
Briggs & Stratton 3.75HP Sprint, Model 98902-2228-E2**

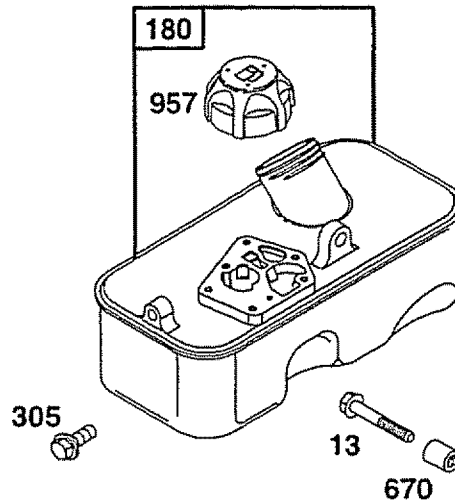


REF. NO.	PART NO.	DESCRIPTION	REF. NO.	PART NO.	DESCRIPTION	REF. NO.	PART NO.	DESCRIPTION
201	262753	Link-Air Vane	620	498206	Bracket-Control (Used After Code Date 96040700)			0151, 0165, 0166, 0167, 0197, 0199, 0300, 0310, 0312, 0313, 0314, 0317, 0319, 0320, 0321, 0323, 0325, 0330, 0334, 0337, 0341, 0350, 0355, 0360, 0361, 0362, 0365, 0370, 0371, 0376, 0379, 0380, 0383, 0388, 0390, 0391, 0392, 0393, 0394, 0396, 0397, 0398, 0399, 0891, 0899.
209		Spring-Governor See Last Pages			495485 Bracket- Control (Used Before Code Date 96040800).			
209A	263109	Spring-Governor			498207 Bracket- Control (Used After Code Date 96040700).			
236	262461	Link-Lock Out			495486 Bracket- Control (Used Before Code Date 96040800).			
258	94018	Screw-Hex.						
268	66986	Casing-Wire (48" Long) (Cut to Required Length).						
269	26099	Wire-Control (54" Long) (Cut to Required Length).						
270	63426	Locknut-Casing						
271	290568	Lever-Control						
305	94786	Screw-Hex.						
307	94515	Screw-Hex.						
333	398593	Armature-Magneto						
334	94731	Screw-Hex.						
356	398808	Wire-Stop						
356A	496381	Wire-Stop						
482	93621	Screw-Hex.						
						621	396847	Switch-Stop
						729	280470	Clip-Wire
						851	493880	Terminal-Cable
						922	261647	Spring-Brake
						923	394867	Brake
						933	223448	Pivot-Band Brake
						934	94037	Screw-Phillips
						941	281285	Cover-Linkage
						942	493248	Bracket-Brake

* Included in Gasket Set-Part No. 298989

Assemblies include all parts shown in frames.

Craftsman 1800 PSI High Pressure Washer 580.768000
 Briggs & Stratton 3.75HP Sprint, Model 98902-2228-E2

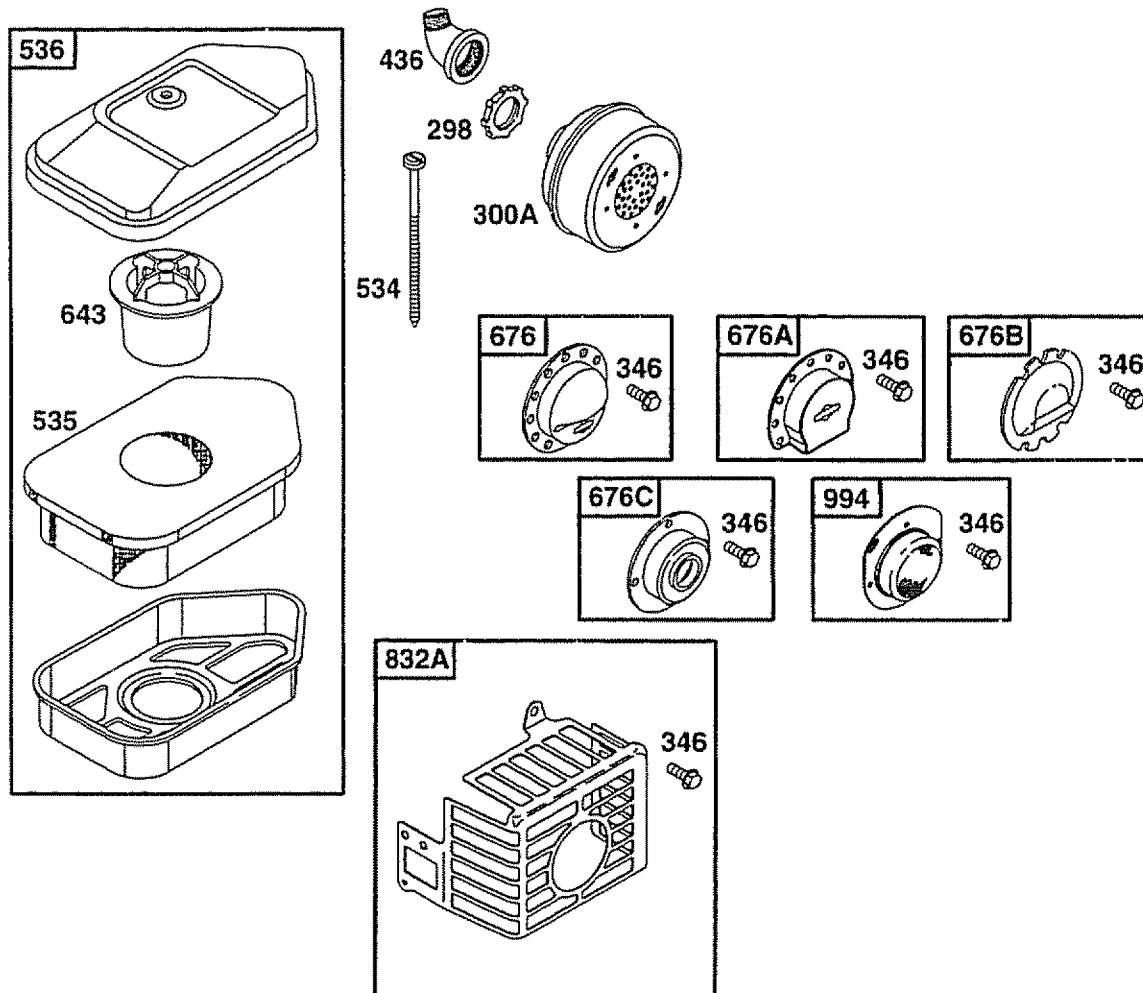


REF. NO.	PART NO.	DESCRIPTION	REF. NO.	PART NO.	DESCRIPTION	REF. NO.	PART NO.	DESCRIPTION
13	93111	Screw-Hex.	670	94047	Spacer-Fuel Tank Used on Engines Without Band Brake.	957	497929	Cap-Fuel Tank
181A	499125	Cap-Fuel Tank						
305	94786	Screw-Hex.			Note 94038 Spacer Used on Engines With Band Brake.			

★ Included in Gasket Set-Part No. 298989.

Assemblies include all parts shown in frames.

**Craftsman 1800 PSI High Pressure Washer 580.768000
Briggs & Stratton 3.75HP Sprint, Model 98902-2228-E2**

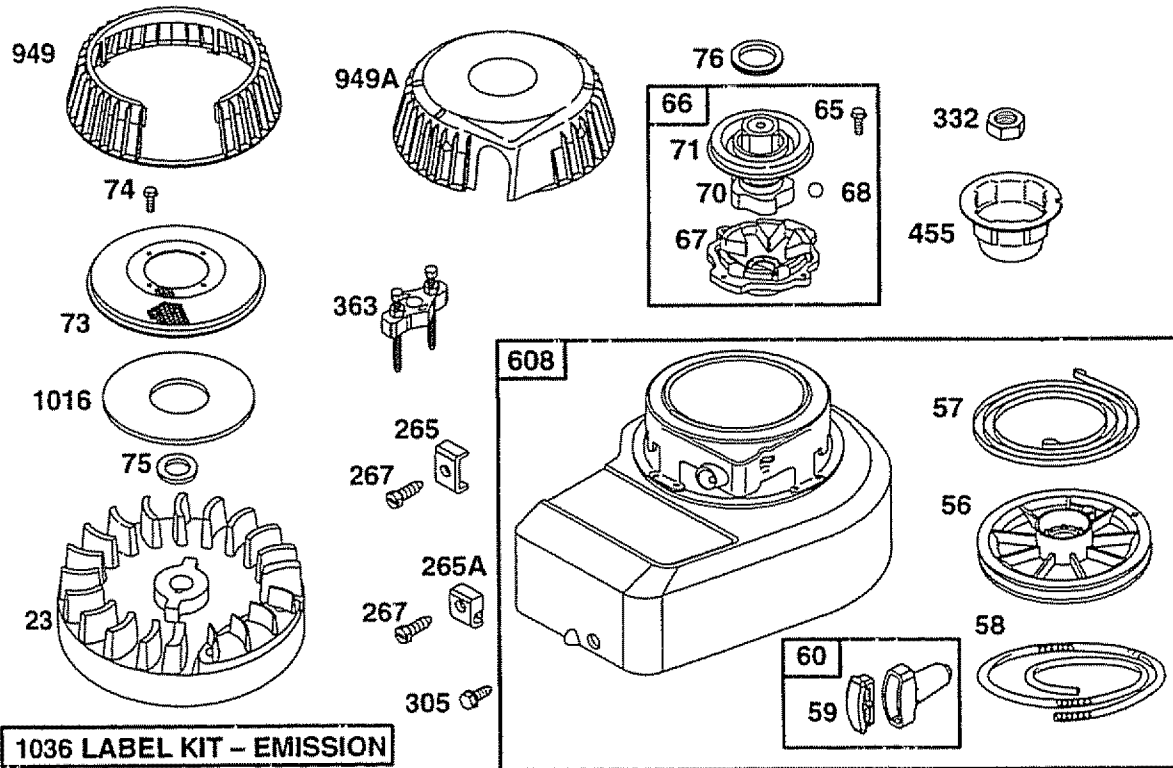


REF. NO.	PART NO.	DESCRIPTION	REF. NO.	PART NO.	DESCRIPTION	REF. NO.	PART NO.	DESCRIPTION
298	220859	Locknut-Muffler	436	92989	Elbow-Exhaust	676A	393760	Deflector-Muffler
300A	394569	Muffler-Exhaust (Lo Tone)	534	93865	Screw-Slotted	676B	393756	Deflector-Muffler
346	93705	Screw-Hex.	535	272235	Filter-Air	676C	397931	Deflector-Muffler
			536	493492	Cleaner-Air	832A	498145	Guard-Muffler
			643	280972	Retainer-Air Filter	994	398067	Arrester-Spark
			676	396548	Deflector-Muffler			

* Included in Gasket Set-Part No 298989.

Assemblies include all parts shown in frames.

**Craftsman 1800 PSI High Pressure Washer 580.768000
Briggs & Stratton 3.75HP Sprint, Model 98902-2228-E2**

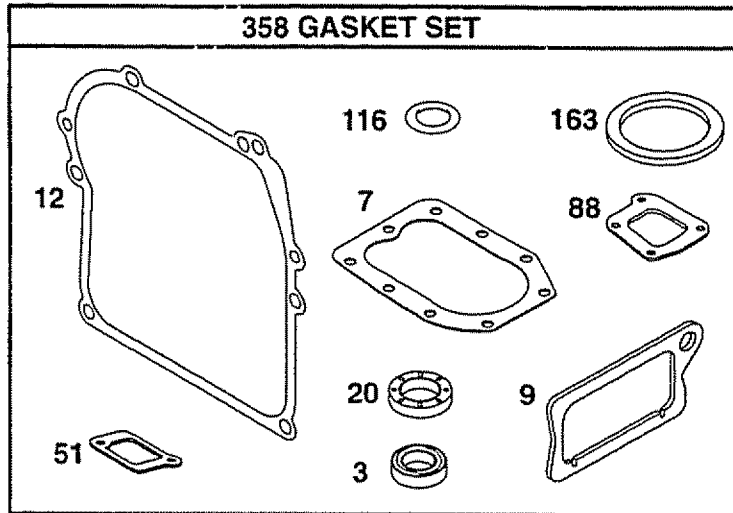


REF. NO.	PART NO.	DESCRIPTION	REF. NO.	PART NO.	DESCRIPTION	REF. NO.	PART NO.	DESCRIPTION
23	495046	Flywheel			————— Note —————	267	94694	Screw—Slotted Hex.
56	281336	Pulley—Starter			280399 Rope—Starter	305	94786	Screw—Hex.
57	490179	Spring—Rewind Starter			(99" Long)	332	92284	Nut—Flywheel
58	280406	Rope—Starter (81" Long) (Cut to Required Length)			(Cut to Required Length)	363	19069	Flywheel Pulley
			59	396892	Insert—Grip	455	225121	Cup—Flywheel Starter—Rewind
			60	393152	Grip—Starter Rope	608		See Last Pages
			65	94680	Screw—Hex.	949	281337	Guard—Rewind
			66	399671	Clutch—Starter	949A	281279	Guard—Finger
			67	394897	Housing—Clutch	1016	281353	Spacer—Rewind (2—13/16" Dia.)
			68	63770	Ball—Clutch	1036	499331	Label Kit—Emission Used on Type No(s) 0810, 0837, 0849, 0865, 0866, 0891, 0899, 1446, 1472, 1477, 1515, 1516, 1518, 1551, 1644.
			70	298799	Ratchet—Clutch			
			71	394506	Cover—Ratchet			
			73	221661	Screen—Rotating			
			74	93758	Screw—Hex.			
			75	223047	Washer—Flywheel			
			76	68238	Seal			
			265	22372	Clamp—Casing			
			265A	213146	Clamp—Casing			

* Included in Gasket Set—Part No. 298989.

Assemblies include all parts shown in frames.

**Craftsman 1800 PSI High Pressure Washer 580.768000
Briggs & Stratton 3.75HP Sprint, Model 98902-2228-E2**

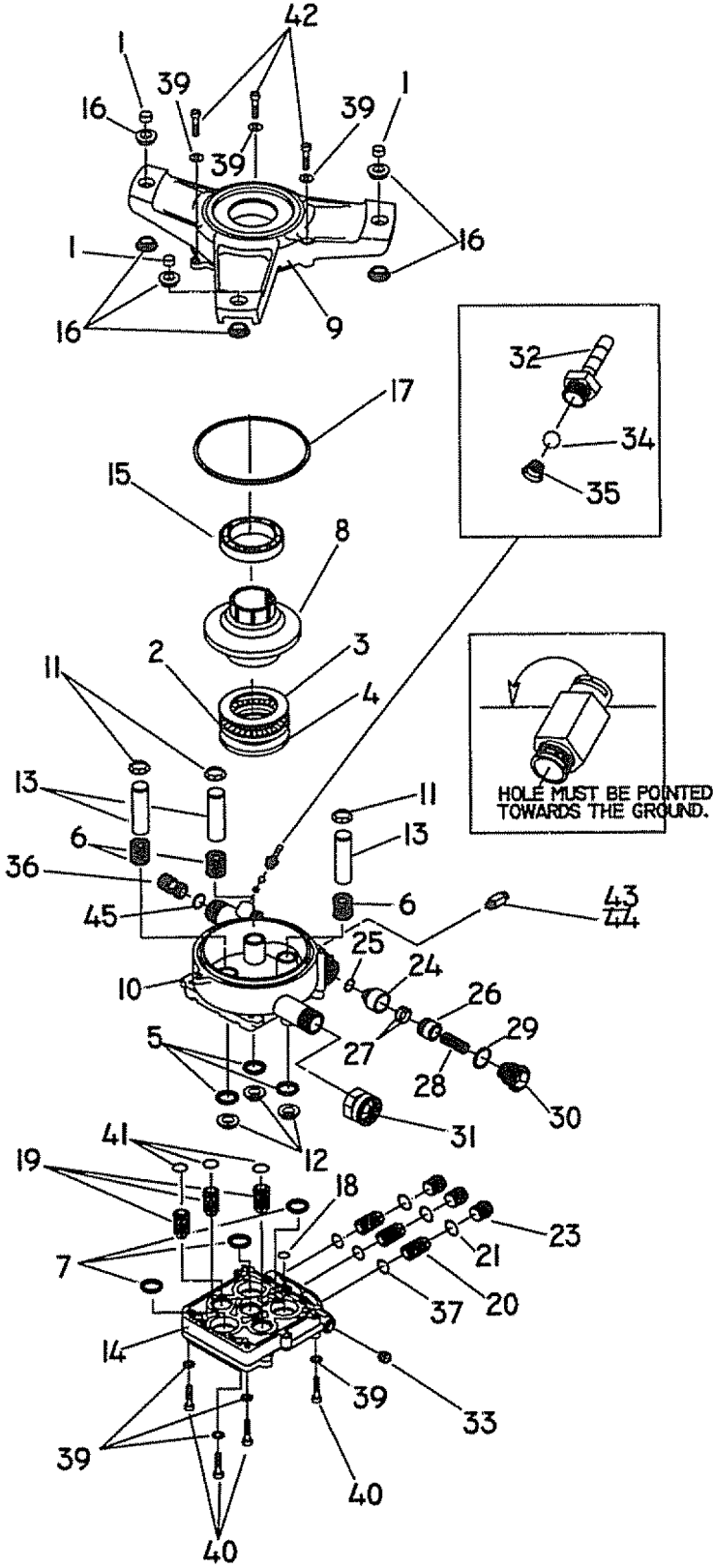


REF. NO.	PART NO.	DESCRIPTION	REF. NO.	PART NO.	DESCRIPTION	REF. NO.	PART NO.	DESCRIPTION
3	*299819	Seal-Oil		*270895	Gasket-Crankcase (.005" Thick)	20	*391483	Seal-Oil
7	*272536	Gasket-Cylinder Head (Used Before Code Date 96080100).		*270896	Gasket-Crankcase (.009" Thick)	51	*270345	Gasket-Intake
9	*272602	Gasket-Breather				88	*270328	Gasket-Cover
12	*270833	Gasket-Crankcase (.015" Thick, Standard)				116	*271485	Seal-O Ring
						163	*271139	Gasket-Air Cleaner
						358	298989	Gasket Set

* Included in Gasket Set-Part No. 298989.

Assemblies include all parts shown in frames.

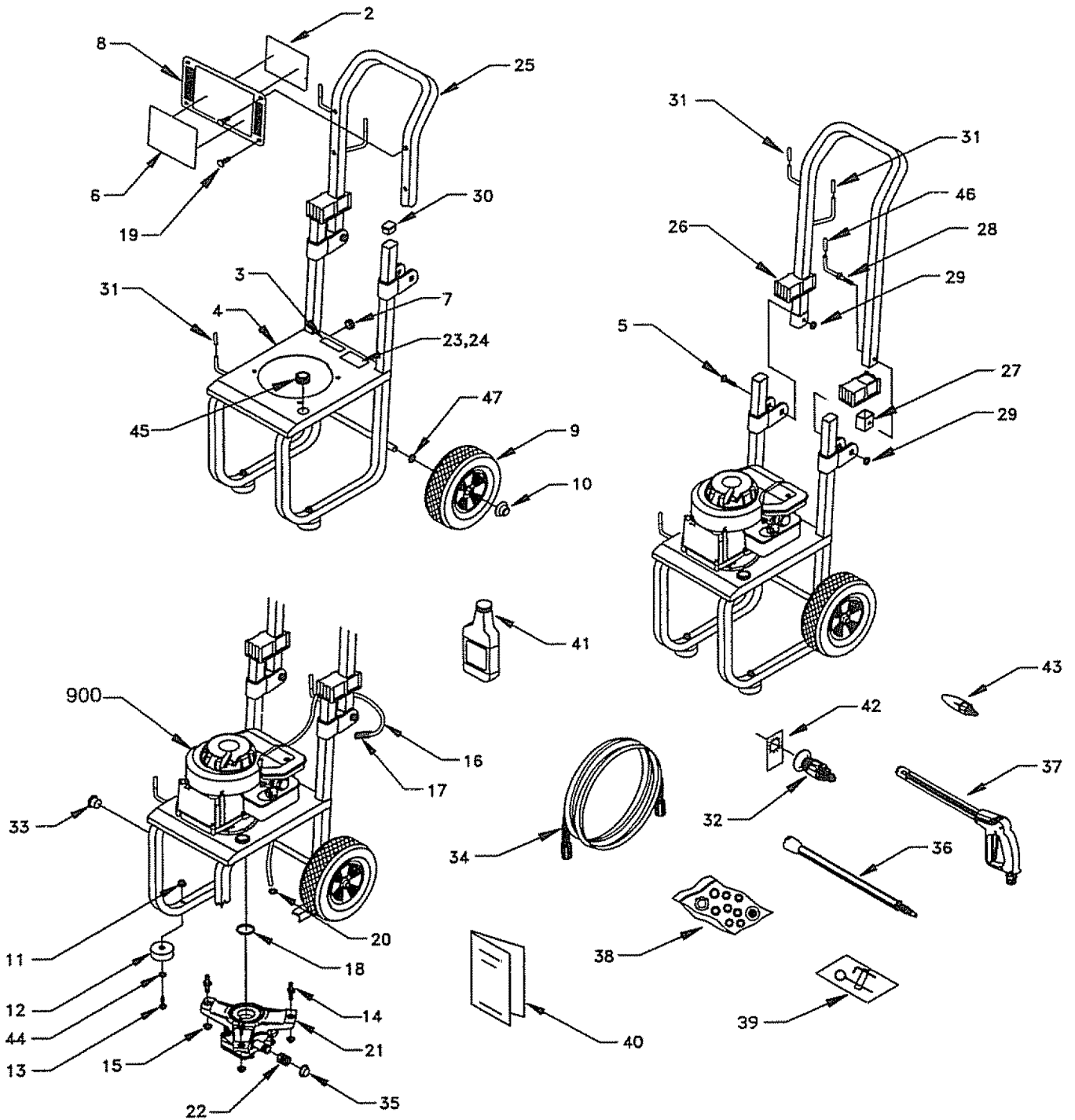
Craftsman 1800 PSI High Pressure Washer 580.768000
 Pump



**Craftsman 1800 PSI High Pressure Washer 580.768000
Pump**

<u>Item</u>	<u>Part #</u>	<u>Description</u>	<u>Qty.</u>
1	96795	SLEEVE, Rubber Grommet Spacer	3
2	21640	ASSEMBLY, Cage Needle Bearing 45 x 65	1
3	21641	WASHER, Brg. Dia. 45 x 65 x 1T	1
4	21642	WASHER, Brg. Dia. 36 x 65 x 6T [Special]	1
5	93680	SEAL, Oil Piston Dia. 15	3
6	99503	SPRING, Piston Return – EG	3
7	93667	SEAL, U-Clip	3
8	98304	CAM, Axial 5.6mm w/insert	1
9	98227	ADAPTER, Engine	1
10	20110	HOUSING, Piston and Unloader	1
11	97830	RETAINER, Piston Spring	3
12	97831	SPACER, Pilot	3
13	97832	PISTON, Dia. 15-65 Long	3
14	A1111b	HEAD, Pump	1
15	57018	BEARING, Ball Radial	1
16	21429	BUSHING, Rubber	6
17	97835	“O” RING, Housing Seal	1
18	97837	“O” RING, Hi-Pressure Transfer	1
19	97838	ASSEMBLY, Check Valve – Inlet	3
20	97839	ASSEMBLY, Check Valve – Outlet	3
21	97840	“O” RING, Inlet Port Cap	3
23	97841	CAP, Inlet Port	3
24	97842	SEAT, Unloader	1
25	97843	“O” RING, Unloader Venturi	1
26	B1253	PISTON, Unloader	1
27	97845	SEAL, Unloader “Parback”	2
28	A2731	SPRING, Unloader	1
29	97847	“O” RING, Unloader Cap	1
30	A2730	CAP, Unloader	1
31	21424	CONNECTOR, Garden Hose	1
32	A1575	BARB, Hose with Nylon Insert	1
33	96137	PLUG, 1/8” NPT [with Sealant]	1
34	95379	BALL, Dia. 5.5 Chemical Injector	1
35	95380	SPRING, Chemical Injector	1
36	20631	VENTURI, Chemical Injector	1
37	97934	“O” RING, Check Valve – Inlet	3
39	93873	LOCK WASHER, M6 Ribbed	7
40	40946	SHCS, M6-1.0 x 35mm	4
41	97851	“O” RING, Piston Housing	3
42	97962	SHCS, M6-1.0 x 25mm	3
43	21783	THERMAL RELIEF	1
44	20876	.5 oz. SEALANT, Thread Locktite 545	0
45	B1077	“O” RING, Venturi	1

**Craftsman 1800 PSI High Pressure Washer 580.768000
Main Unit**



Craftsman 1800 PSI High Pressure Washer 580.768000

Main Unit

<u>ITEM</u>	<u>PART NO.</u>	<u>QTY.</u>	<u>DESCRIPTION</u>
2	B3220	1	DECAL, Instructions
3	96307	1	DECAL, 1-800 Number
4	DB3307A	1	BASE, Gray Powder Coated
5	B3085	1	BOLT, Carriage 1/4-20 x 1.50
6	B3685	1	DECAL, 1800 PSI
7	30809	1	GROMMET, Chemical Hose
8	B1786A	1	BILLBOARD
9	21206	2	TIRE, 2" x 8" Black Mag
10	75402	2	PUSHNUT, 1/2"
11	52858	2	NUT, M8 Locking Flange
12	27007	2	MOUNT, Vibration
13	57821	2	HHCS, M8 - 1.25 x 40
14	B1735	3	STUD, Double Ended
15	B1880	3	NUT, with Washer
16	A1040B	1	HOSE, Chemical
17	A1041	1	FILTER, Chemical Hose
18	98300	1	SEAL, Engine Donut
19	B1797	4	FASTENER, Clip
20	48031G	1	CLAMP, Hose 13/16"
21	B1262A	1	ASSY., Pump EG w/Thermal
22	21424	1	CONNECTOR, Garden Hose
23	91373	1	DECAL, Data
24	79552	1	OVERLAMINATE, Decal
25	DB3330	1	HANDLE, Gray Powder Coated
26	B2791	2	COVER, Hinge
27	B2790	2	CAP, End
28	B2759A	1	HOOK, Chemical Bottle
29	B2071	2	NUT, 1/4-20 Locking Flange
30	81895	2	CAP, Plug
31	B2516	3	CAP, Vinyl
32	B3381G	1	NOZZLE, High / Low
33	97100	1	CAP, High Pressure
34	B3337	1	HOSE, 1/4" x 25'
35	A1408	1	CAP, Garden Hose Inlet
36	21337	1	LANCE, Extension
37	21336	1	GUN, High Pressure
38	B2739	1	KIT, Maintenance
39	B3708	1	KIT, Nozzle, Cleaning
40	B3683	1	MANUAL
41	96382	1	OIL, Engine
42	97566	1	TAG, Nozzle
43	B1300G	1	NOZZLE, Turbo
44	50190	2	WASHER, M8 Flat
45	B1127	1	GROMMET, Turbo
46	B1460	1	CAP, Vinyl
47	49808	2	WASHER, M12 Flat
900	NSP	1	ENGINE, B&S 3.75 Sprint, 98902-2228-E2

**Briggs & Stratton Corporation (B&S) ,
the California Air Resources Board
(CARB) and the United States
Environmental Protection Agency (U.S.
EPA)Emission Control System
Warranty Statement (Owner's Defect
Warranty Rights and Obligations)**

In the interest of the environment, Briggs & Stratton engines that meet strict emission requirements are labeled, "This engine conforms to 1995-1998 California Emission Control Regulations for ULGE engines and U.S. EPA Phase 1 regulations for small non-road engines." EMISSION CONTROL WARRANTY COVERAGE IS APPLICABLE ONLY TO CERTIFIED ENGINES PURCHASED IN CALIFORNIA IN 1995 AND THEREAFTER WHICH ARE USED IN CALIFORNIA AND TO CERTIFIED MODEL YEAR 1997 AND LATER ENGINES WHICH ARE PURCHASED AND USED ELSEWHERE IN THE UNITED STATES.

**California and United States
Emission Control Defects Warranty
Statement**

CARB, U.S. EPA and B&S are pleased to explain the Emission Control System Warranty Statement on your 1996 and later utility or lawn and garden equipment (ULGE) engine. In California, new ULGE engines produced on or after August 1, 1995 must be designed, built and equipped to meet the State's stringent anti-smog standards. Elsewhere in the United States, new non-road, spark-ignition engines certified for model year 1997 and alter, must meet similar standards set forth by the U.S. EPA. B&S must warrant the emission control system on your engine for the periods of time listed below provided there has been no abuse, neglect or improper maintenance of your ULGE engine.

Your emission control system includes parts such as the carburetor, air cleaner, ignition system, muffler and catalytic converter. Also included may be connectors and other emission related assemblies. Where a warrantable condition exists, B&S will repair your ULGE engine at no cost to you including diagnosis, parts and labor.

**Briggs and Stratton Emission
Control Defects Warranty Coverage**

ULGE engines are warranted relative to emission control parts defects for a period of two years, subject to the provisions set forth below. If any covered part on your engine is defective, the part will repaired and replaced by B&S.

Owner's Warranty Responsibilities

As the ULGE engine owner you are responsible for the performance of the required maintenance listed in your Operator/Owner Manual. B&S recommends that you retain all of your receipts covering maintenance on your ULGE engine, but B&S cannot deny warranty solely for the lack of receipts or for your failure to ensure the performance of all scheduled maintenance.

As the ULGE engine owner, you should however be aware that B&S may deny you warranty coverage if your ULGE engine or a part has failed due to abuse, neglect, improper maintenance or unapproved modifications.

You are responsible for presenting your ULGE engine to an Authorized B&S Service Dealer as soon as a problem exists. The undisputed warranty repairs should be completed in a reasonable amount of time, not to exceed 30 days.

If you have any questions regarding your warranty rights and responsibilities, you should contact a B&S Service Representative at 1-414-259-5262.

The emission warranty is a defects warranty. Defects are judged on normal engine performance. The warranty is not related to an in-use emission test.

Briggs and Stratton Emission Control Defects Warranty Provisions

The following are specific provisions relative to your Emissions Control Defects Warranty Coverage. It is in addition to the B&S engine warranty for non-regulated engines found in the Operator/Owner's Manual.

1. Warranted Parts

Coverage under this warranty extends only to the parts listed below (the emission control systems parts) to the extent these parts were present on the engine purchased.

- a. Fuel Metering System
 - Cold start enrichment system (soft choke)
 - Carburetor and internal parts
 - Fuel Pump
- b. Air Induction System
 - Air cleaner
 - Intake manifold
- c. Ignition system
 - Spark Plugs
 - Magneto ignition system
- d. Catalyst System
 - Catalyst converter
 - Exhaust manifold
 - Air injection system or pulse valve
- e. Miscellaneous Items Used in Above Systems
 - Vacuum, temperature, position, time sensitive valves and switches
 - Connectors and Assemblies

2. Length of Coverage

B&S warrants to the initial owner and each subsequent purchaser that the Warranted Parts shall be free from defects in materials and workmanship which caused the failure of the Warranted Parts for a period of two years from the date the engine is delivered to a retail purchaser.

3. No Charge

Repair or replacement of any Warranted Part will be performed at no charge to the owner, including diagnostic labor which leads to the determination that a Warranted Part is defective, if the diagnostic work is performed at an Authorized B&S Service Dealer. For emissions warranty service contact your nearest Authorized B&S Dealer as listed in the "Yellow Pages" under "Engines, Gasoline," "Gasoline Engines," "Lawn Mowers" or similar category.

4. Claims and Coverage Exclusions

Warranty claims should be filed in accordance with the provisions of the B&S Engine Warranty Policy. Warranty coverage shall be excluded for failures of Warranted Parts which are not original B&S parts or because of abuse, neglect or improper maintenance as set forth in the B&S Engine Warranty Policy. B&S is not liable to cover failures of Warranted Parts caused by the use of add-on, non-original, or modified parts.

5. Maintenance

Any Warranted Part which is not scheduled for replacement as required by maintenance or which is scheduled only for regular inspection to the effect of "repair or replace as necessary" shall be warranted as to defects for the warranty period. Any Warranted part which is scheduled for replacement as required by maintenance shall be warranted as to defects only for the period of time up to the first scheduled replacement for that part. Any replacement part that is equivalent in performance and durability may be used in the performance of any maintenance or repairs. The owner is responsible for the performance of all required maintenance, as defined in the B&S Operator/Owner Manual.

6. Consequential Coverage

Coverage here under shall extend to the failure of any engine components caused by the failure of any Warranted Part still under warranty.

For in-home major brand repair service:

Call 24 hours a day, 7 days a week

1-800-4-MY-HOMESM (1-800-469-4663)

Para pedir servicio de reparación a domicilio – 1-800-676-5811

In Canada for all your service and parts needs call – **1-800-665-4455**
Au Canada pour tout le service ou les pièces

For the repair or replacement parts you need:

Call 7 am – 7 pm, 7 days a week

1-800-366-PART (1-800-366-7278)

Para ordenar piezas con entrega a domicilio – 1-800-659-7084

For the location of a Sears Parts and Repair Center in your area:

Call 24 hours a day, 7 days a week

1-800-488-1222

**For information on purchasing a Sears Maintenance Agreement
or to inquire about an existing Agreement:**

Call 9 am – 5 pm, Monday – Saturday

1-800-827-6655



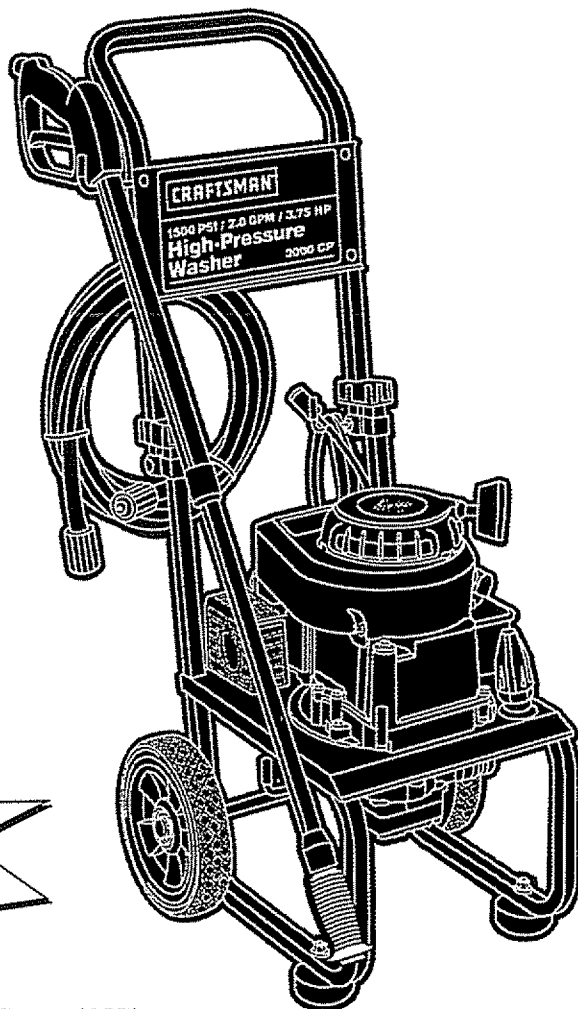
The Service Side of SearsSM

Manual del Operador



MAQUINA LAVADORA DE ALTA PRESION 3.75 Caballos de Fuerza 1500 PSI 2 GPM

Modelo No. 580.768000



Línea de Ayuda al
Cliente para la Máquina
Lavadora a Presión
1-800-222-3136

HORAS: Lunes - Viernes de 8 a.m. a 5 p.m. (CST)

PRECAUCION:

Antes de usar este producto, lea este manual y siga todas sus Instrucciones de Operación y Reglas de Seguridad.

- Seguridad
- Montaje
- Operación
- Mantenimiento
- Partes

Sears, Roebuck and Co., Hoffman Estates, IL 60179

Visite nuestra página electrónica de Internet Craftsman: www.sears.com/craftsman

TABLA DE CONTENIDOS

Reglas de Seguridad.....	2-3	Almacenamiento.....	13
Montaje.....	4	Reparación de Averías.....	14
Operación.....	5-8	Repuestos.....	16-27
Mantenimiento.....	9-12	Cómo ordenar partes y solicitar servicio.....	Página Posterior

GARANTIA

GARANTIA LIMITADA DE UN AÑO DE LA MAQUINA LAVADORA DE ALTA PRESION

Durante un año a partir de la fecha de compra, Sears reparará, sin cargo alguno, cualquier defecto en material y mano de obra siempre y cuando esta Máquina Lavadora de Alta Presión Craftsman haya sido mantenida y puesta en funcionamiento de acuerdo a las instrucciones suministradas en el manual del propietario.

Esta garantía no cubre:

- Elementos perecederos como bujías y filtros de aire, los cuales se desgastan con el uso normal.
- Reparaciones necesarias debido al abuso o negligencia del operador, incluyendo daños ocasionados por la ausencia de suministro de agua a la bomba o por no mantener el equipo de acuerdo a las instrucciones contenidas en el manual del propietario.

EL SERVICIO DE GARANTIA SE ENCUENTRA DISPONIBLE DEVOLVIENDO LA MAQUINA LAVADORA DE ALTA PRESION AL CENTRO DE SERVICIO O DISTRIBUIDOR SEARS MAS CERCANO EN LOS ESTADOS UNIDOS.


Esta garantía le proporciona derechos legales específicos; usted también puede tener otros derechos, los cuales varían de estado a estado.


Sears, Roebuck and Co., Dept. 817WA, Hoffman Estates, IL 60179

INSTRUCCIONES DE SEGURIDAD

ADVERTENCIA:

El escape del motor de este producto contiene elementos químicos, los cuales son reconocidos en el Estado de California por producir cáncer, defectos de nacimiento u otros daños de tipo reproductivo.

 **¡PRECAUCION!** Antes de usar este producto, lea este manual y siga todas las Reglas de Seguridad y las Instrucciones de Operación.

 **¡PELIGRO!** Cuando transporte, instale, ajuste o haga reparaciones a su máquina lavadora a presión, **siempre** desconecte el alambre de la bujía y colóquelo donde no pueda entrar en contacto con la bujía para evitar arranques accidentales.

- Los gases del sistema de escape del motor contienen gas de monóxido de carbono MORTAL. Si este gas peligroso se inhala en concentraciones suficientes, puede causar pérdida de la consciencia o incluso la muerte. Opere este equipo únicamente al aire libre, donde se encuentre disponible ventilación adecuada.

- La gasolina es altamente INFLAMABLE y sus vapores son EXPLOSIVOS. No permita que fumen, que existan llamas abiertas, chispas o calor a su alrededor cuando manipule gasolina. Evite regar gasolina sobre un motor caliente. Permita que la unidad se enfríe por 2 minutos antes de volver a colocarle combustible. Cumpla con todas las leyes que regulan el almacenamiento y el manejo de gasolina.
- Coloque esta máquina lavadora a presión en áreas alejadas de materiales combustibles, humos o polvo combustibles.
- El equipo de alta presión está diseñado para ser utilizado únicamente con las partes autorizadas Sears. Si utiliza este equipo con partes que no cumplan con las especificaciones mínimas, el usuario asume todos los riesgos y responsabilidades.
- Algunos químicos o detergentes pueden ser nocivos si se inhalan o ingieren, causando náusea severa, desmayos o envenenamiento. Los elementos nocivos pueden ocasionar daño a la propiedad o lesiones severas.
- No permita en ningún momento que NIÑOS operen la Máquina Lavadora a Presión.

- Opere el motor únicamente a la velocidad de mando. Hacer funcionar el motor a velocidades excesivas aumenta el peligro de lesiones personales. No juegue con partes que puedan aumentar o disminuir la velocidad de mando.
- No use ropa suelta, joyas o elementos que puedan quedar atrapados en el arranque u otras partes rotatorias.
- Antes de poner en marcha la Máquina Lavadora a Presión en clima frío, revise todas las partes del equipo y asegúrese de que no se haya formado hielo.
- NUNCA deberán ser operadas las unidades con partes rotas o ausentes, o sin la caja o cubiertas de protección.
- El silenciador de escape y el depurador de aire deberán estar instalados y en buenas condiciones antes de operar la Máquina Lavadora a Presión. Estos componentes actúan como apagachispas si el motor presenta contrafuegos.
- Revise que el sistema de combustible no presente fugas o signos de deterioro, como mangueras desgastadas o porosas, sujetadores flojos o ausentes, tapa o tanque dañados. Corrija todos los defectos antes de operar la Máquina Lavadora a Presión.
- No rocíe líquidos inflamables.
- Nunca permita que partes del cuerpo entren en contacto con la corriente del fluido. NO entre en contacto con la corriente del fluido creada por una fuga en la manguera de alta presión.
- Las corrientes de alta presión que produce este equipo pueden perforar la piel y sus tejidos profundos, ocasionando lesiones serias y posible amputación.
- Nunca apunte la pistola a la gente, animales o plantas.
- El rociado de alta presión puede hacer que partículas pequeñas de pintura u otras partículas salgan disparadas y viajen a altas velocidades.
- Siempre use protección para los ojos cuando utilice este equipo o cuando esté cerca de donde se esté usando el equipo.
- Opere la presión a un valor que no exceda la presión del fluido en PSI de su máquina lavadora a presión.
- Nunca mueva la máquina halando la manguera de alta presión. Utilice la manija ubicada en la parte superior de la unidad.
- Siempre asegúrese de que la pistola de rociado, boquillas y accesorios estén conectados correctamente.
- Nunca utilice una pistola de rociado que no tenga un seguro para gatillo o protección para gatillo en su lugar y en buenas condiciones.
- Utilice un respirador o máscara siempre que exista la posibilidad de inhalar vapores. Lea todas las instrucciones de la máscara para asegurarse de que le brindará la protección necesaria contra la inhalación de vapores nocivos.
- El rociado de alta presión puede dañar elementos frágiles, incluyendo el vidrio. No apunte la pistola de rociado al vidrio cuando esté en el modo de rociado a chorro.
- Mantenga conectada la manguera a la máquina o a la pistola de rociado cuando el sistema esté presurizado. Es peligroso desconectar la manguera cuando la unidad esté presurizada.
- Sostenga firmemente en su mano la manguera de rociado antes de poner en marcha la unidad. De no hacerlo, podrían ocurrir lesiones por el movimiento brusco de la pistola de rociado. No abandone la pistola de rociado cuando la máquina esté en funcionamiento.
- El área de limpieza deberá tener inclinaciones y drenajes adecuados para disminuir la posibilidad de caídas debido a superficies resbalosas.
- Mantenga el chorro del agua alejado de alambros eléctricos, de lo contrario podrían ocurrir descargas eléctricas fatales.
- No asegure el gatillo de la pistola en la posición posterior (abierto).
- No eluda ningún dispositivo de seguridad de esta máquina.
- El silenciador y el motor se calientan durante el funcionamiento y permanecen calientes inmediatamente después del apagado. Evite el contacto con silenciadores o motores calientes, o podría quemarse severamente.
- Opere y almacene esta unidad sobre una superficie estable.
- La manguera de alta presión puede desarrollar fugas debido al desgaste, dobleces, abuso, etc. El agua que sale de una fuga es capaz de enyectar materiales en la piel. Inspeccione la manguera siempre que la vaya a usar. Revise todas las mangueras para ver si presentan cortes, fugas, abrasiones o deformación de la cubierta, daño o movimiento de acoplamientos. Si existe cualquiera de estas condiciones, reemplace la manguera inmediatamente. Nunca repare la manguera de alta presión. Reemplacela con una manguera que reúna la clasificación mínima de presión de su máquina lavadora a presión.



ESTE PENDIENTE DE ESTE SIMBOLO, EL CUAL LE ADVIERTE DE IMPORTANTES PRECAUCIONES DE SEGURIDAD. SIGNIFICA "ATENCIÓN", ¡ESTE ALERTA! "SU SEGURIDAD ESTA EN RIESGO".

MONTAJE

CONTENIDO DE LA CAJA

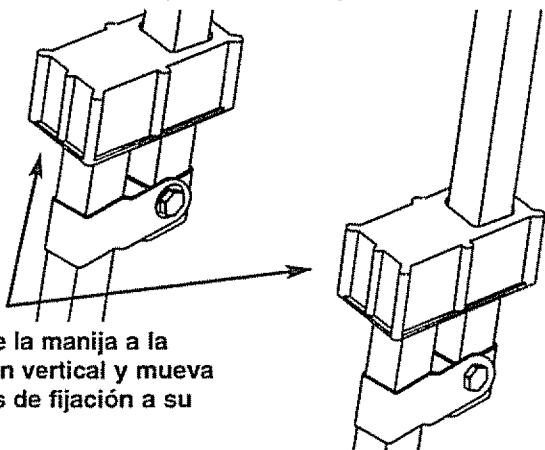
Las siguientes partes son enviadas sueltas con su máquina lavadora a presión:

- Unidad Principal - máquina lavadora a presión con ruedas, manija guía.
- Manguera de Alta Presión
- Caja de partes (incluye los siguiente elementos):
- Pistola de Rociado
- Extensión para Boquillas
- Boquilla Ajustable de Alta/Baja Presión
- Boquilla a Chorro
- Aceite para Motor
- Bolsa del Manual (incluye los siguientes elementos):
- Manual del Propietario
- Juego para Limpiar Boquillas
- Juego de Anillos 'O'

Familiarícese con cada parte antes de ensamblar la máquina lavadora a presión. Compare el contenido con la ilustración de la Página 5. Si alguna de la partes no está presente o se encuentra dañada, llame a la Línea de Ayuda de la Máquina Lavadora a Presión al 1-800-222-3136.

COMO RETIRAR LA MAQUINA LAVADORA A PRESION DE LA CAJA

- Retire las partes sueltas y la caja de repuestos incluida con la máquina lavadora a presión.
- Corte dos esquinas en el extremo de la manija guía de la caja de la parte superior a la inferior, de manera que el panel pueda ser doblado hacia abajo.
- Levante la manija guía, asegúrela en su sitio y saque la máquina lavadora a presión de la caja.



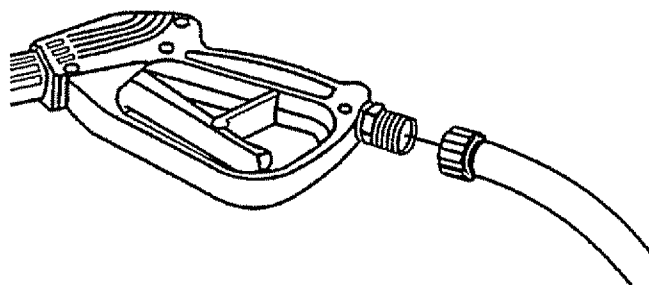
Levante la manija a la posición vertical y mueva la tapas de fijación a su sitio.

- Revise la caja para ver si existen partes sueltas adicionales.

COMO PREPARAR LA MAQUINA LAVADORA A PRESION

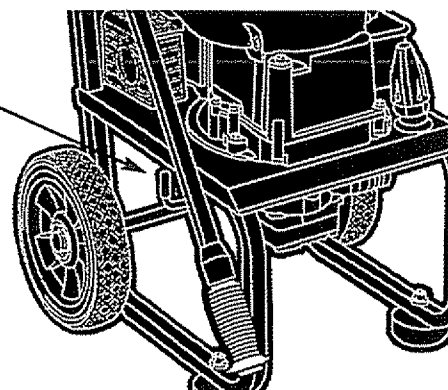
La gran mayoría de su Máquina Lavadora de Alta Presión Craftsman ha sido ensamblada en la fábrica. Sin embargo, usted deberá ensamblar la pistola de rociado y conectar la manguera de alta presión a la bomba y a la pistola de rociado.

- Corte los amarres de la manguera de alta presión y conecte la manguera de alta presión a la pistola. Apriete con la mano.

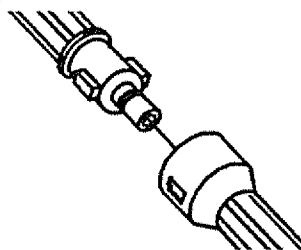


- Retire la tapa plástica y conecte la manguera de alta presión a la bomba. Apriete con la mano.

La salida de alta presión se encuentra en este lado de la unidad, por debajo del motor.



- Conecte la extensión para boquillas a la pistola de rociado alineando las salientes de aseguramiento de la extensión con las ranuras de la pistola. Empuje la extensión y gírela en sentido de las manecillas del reloj para asegurarla en su sitio.

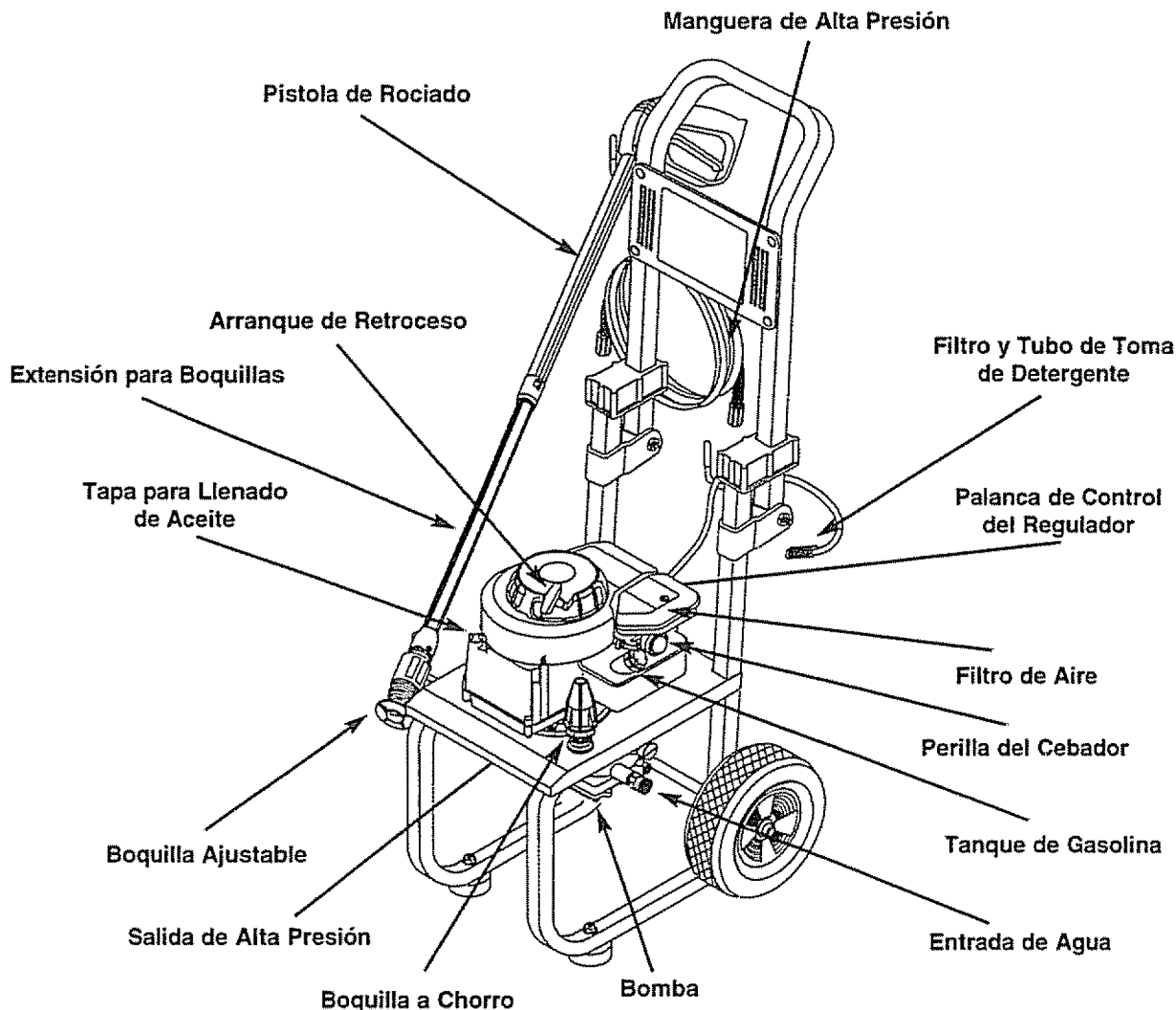


- Conecte la boquilla que desee a la extensión para boquillas.
- Coloque la pistola de rociado ensamblada en el soporte.

OPERACION

CONOZCA SU MAQUINA LAVADORA DE ALTA PRESION

Lea este manual del propietario y las reglas de seguridad antes de poner en marcha su máquina lavadora de alta presión. Compare las ilustraciones con su máquina lavadora de alta presión para familiarizarse con las ubicaciones de los diferentes controles y ajustes.



Arranque de Retroceso - Usado para dar arranque al motor manualmente.

Bomba - Desarrolla alta presión de agua.

Boquilla Ajustable - Se conecta a la extensión para boquillas y ajusta la presión a alta o baja presión, rociado a chorro o en abanico.

Boquilla a Chorro - Se conecta a la extensión para boquillas y le permite limpiar o enjuagar superficies a alta presión. No se puede aplicar detergente utilizando la boquilla a chorro.

Entrada de Agua - Conecte la manguera de jardín aquí utilizando el conector para manguera de jardín (no mostrado).

Extensión para Boquillas - Se conecta a la pistola de rociado y a las boquillas.

Filtro de Aire - El elemento de filtro tipo seco limita la cantidad de suciedad y polvo que se introduce en el motor.

Filtro y Tubo de Toma de Detergente - Se usa para succionar el detergente de la botella de químicos a la corriente de agua de baja presión.

Manguera de Alta Presión - Conecte un extremo a la pistola de rociado y el otro a la salida de alta presión.

Palanca de Control del Regulador - Alista el motor para darle arranque y detiene el motor.

Perilla del Cebador - Usada para el arranque de motores fríos.

Pistola de Rociado - Controla la aplicación de agua sobre la superficie de limpieza con el gatillo. Incluye cerrojo de seguridad.

Salida de Alta Presión - Conexión para la manguera de alta presión.

Tanque de Gasolina - Llene el motor con gasolina regular sin contenido de plomo.

Tapa del Llenado de Aceite - Llene el motor con aceite aquí. Vea la Página 7 para las recomendaciones del aceite.

COMO USAR SU MAQUINA LAVADORA A PRESION

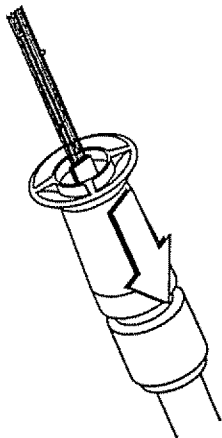
Lea estas instrucciones y aprenda cómo usar su máquina lavadora a presión antes de intentar darle arranque a la misma. Si tiene problemas operando su máquina lavadora a presión, por favor llame a la línea de ayuda de la máquina lavadora a presión al 1-800-222-3136.

Cómo Usar la Boquilla Ajustable

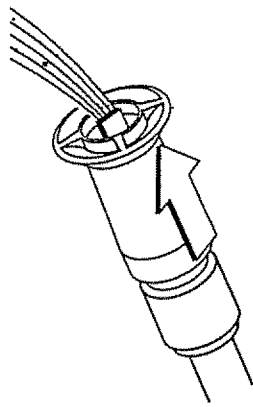


ADVERTENCIA: Nunca ajuste el patrón de rociado cuando esté rociando. Nunca coloque las manos en frente de la boquilla cuando ajuste el rociado.

- Mueva la boquilla hacia adelante para ajustar el rociado al modo de baja presión. Mueva la boquilla hacia atrás para obtener alta presión.

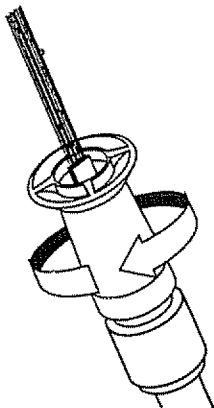


Mueva la boquilla hacia atrás para colocarla en el modo de alta presión.

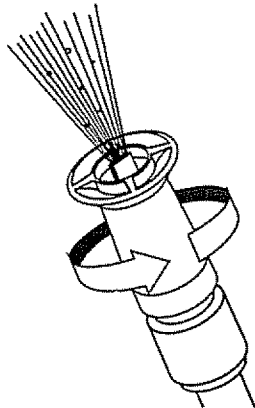


Mueva la boquilla hacia adelante para colocarla en el modo de baja Presión.

- Al girar la boquilla se ajusta el patrón de rociado de un patrón angosto a un patrón en "abanico".



Gire la boquilla en sentido de las manecillas del reloj para un patrón de rociado angosto.



Gire la boquilla en sentido contrario a las manecillas del reloj para un patrón de rociado en "abanico".

- Para una limpieza más efectiva, mantenga la boquilla de rociado de 8 a 24 pulgadas de la superficie de limpieza.
- Si coloca la boquilla de rociado demasiado cerca, especialmente en el modo de alta presión, podría dañar la superficie de limpieza.

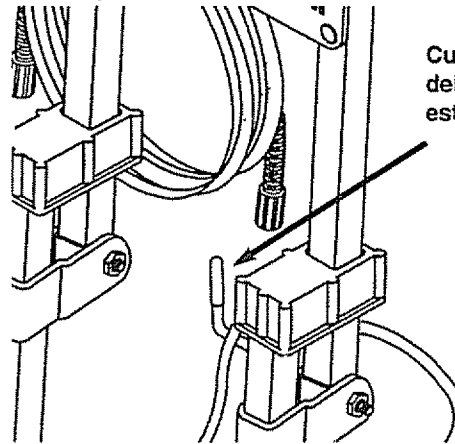
Procedimiento de Limpieza Usando la Boquilla Ajustable

IMPORTANTE: Utilice jabones diseñados específicamente para máquinas lavadoras a presión. El detergente casero podría dañar la bomba.

IMPORTANTE: Usted deberá conectar todas las mangueras antes de darle arranque al motor. Arrancar el motor sin todas las mangueras conectadas y sin el suministro de agua ABIERTO (ON) causará el daño de la bomba.

Para aplicar detergente siga estos pasos:

- Prepare la solución de detergente siguiendo las instrucciones del fabricante.
- Cuelgue la solución de detergente en el gancho de la manija.



Cuelgue la botella del detergente en este gancho.

- Coloque el filtro pequeño del tubo de inyección de químicos transparente en el recipiente del detergente.
- Mueva la boquilla ajustable hacia adelante al modo de baja presión. El detergente no se puede aplicar con la boquilla en la posición de alta presión.
- Repase el uso de la boquilla ajustable.
- Conecte la manguera de jardín a la entrada del agua (vea "PUESTA EN MARCHA DE SU MAQUINA LAVADORA DE PRESION" en la página 8), revise que la manguera de alta presión esté conectada a la pistola de rociado y a la bomba (vea MONTAJE en la página 4) y de arranque al motor.
- Para la limpieza, comience en la parte inferior del área que se va a lavar y dirjase hacia arriba, utilizando movimientos largos y superpuestos.
- Permita que el detergente penetre entre 3-5 minutos antes de lavar y enjuagar. Vuelva a aplicar cuando sea necesario para evitar que la superficie se seque.

Enjuague con la Boquilla Ajustable



ADVERTENCIA: Sea bastante cuidadoso si tiene que utilizar la máquina lavadora a presión desde una escalera, andamio o cualquier otro lugar relativamente inestable. Cuando oprima el gatillo, la fuerza de reacción del rociado inicial podría hacerlo caer, o si está demasiado cerca a la superficie de limpieza, la alta presión podría hacerlo salirse del aparato en que está ubicado.

- Conecte el suministro de agua y ponga en marcha su máquina lavadora a presión (vea "PUESTA EN MARCHA DE SU MAQUINA LAVADORA DE PRESION" en la página 8).
- Mueva la boquilla ajustable hacia atrás a la posición de alta presión. Espere hasta que el detergente deje de salir. El detergente no circulará cuando esté en el modo de alta presión.
- Cuando el detergente haya dejado de salir, expanda el patrón de rociado para obtener una acción de enjuague más suave. Comience por la parte superior del área que va a enjuagar, dirijase hacia abajo con el mismo movimiento usado para la limpieza.



PRECAUCION: Haga una prueba en un área pequeña de la superficie que va a limpiar. Asegúrese de que no resulte dañada por el rociado de alta presión.

Cómo Usar la Boquilla a Chorro

La boquilla a chorro hace girar la corriente de alta presión en un patrón circular rápido. El rociado de alta presión es más efectivo cuando la punta de la vara se encuentra entre 8 y 24 pulgadas de la superficie que se está limpiando.

Siempre comience a usar la boquilla a chorro a cierta distancia y vaya acercándose a la superficie gradualmente hasta que obtenga la fuerza de limpieza que desee.



PRECAUCION: La boquilla a chorro produce un rociado con una presión extremadamente alta, capaz de remover pintura y hacer agujeros a través de las superficies si la sostiene demasiado cerca. Siempre asegúrese de que la superficie que va a limpiar no vaya a ser dañada por el rociado de alta presión haciendo una prueba en un área escondida.

Nota: Usted no puede aplicar detergente con la boquilla a chorro.

Para conectar la boquilla a chorro a la pistola de rociado:

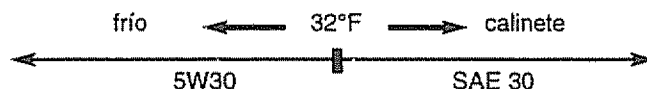
- Retire el accesorio que esté conectado a la extensión para boquillas.
- Conecte la boquilla a chorro a la extensión para boquillas.
- Conecte la extensión para boquillas a la pistola de rociado alineando las salientes de aseguramiento del adaptador de accesorios con las ranuras de la pistola. Instale la boquilla y gírela hasta que se asegure en su sitio.

ANTES DE PONER EN MARCHA LA MAQUINA LAVADORA A PRESION

Para operar el motor deberá hacer lo siguiente:

Agregue Aceite para Motor

Utilice únicamente aceite detergente de alta calidad que tenga una clasificación de servicio API SF o SG. Seleccione el grado de viscosidad SAE del aceite de acuerdo a la temperatura de funcionamiento esperada.



A pesar de que los aceites de múltiple viscosidad (5W30, 10W30, etc.) mejoran el arranque en climas fríos, estos aceites producen un aumento en el consumo de aceite cuando son usados por encima de 32°F. Revise el nivel de aceite del motor con mayor frecuencia para evitar daño debido al funcionamiento con un bajo nivel de aceite.

- Coloque la máquina lavadora a presión sobre una superficie nivelada.
- Limpie el área alrededor del orificio de llenado de aceite y retire la varilla de medición de aceite.
- Limpie la varilla de medición.
- Vierta el aceite de la botella suministrada en la apertura para llenado de aceite hasta que llegue a la marca de **full (lleno)** de la varilla de medición. Deténgase y revise el nivel de aceite. **No llene excesivamente.**
- Instale la varilla de medición de aceite y apriétela con la mano firmemente.

Agregue Gasolina

- Use gasolina regular sin contenido de plomo en el motor de la máquina lavadora a presión. La capacidad del tanque de combustible es de 1 cuarto Americano.



PELIGRO: Nunca llene el tanque de combustible en recintos encerrados. Nunca llene el tanque de combustible cuando el motor esté en funcionamiento o caliente. No encienda cigarrillos o fume cuando llene el tanque de combustible.



PRECAUCION: No llene excesivamente el tanque de combustible. Siempre deje espacio para la expansión del combustible.



PRECAUCION: La experiencia nos indica que los combustibles con mezcla de alcohol (llamados gasohol o que usen etanol o metanol) pueden atraer la humedad, la cual lleva a la separación y formación de ácidos durante el almacenamiento. La gasolina ácida puede dañar el sistema del combustible de un motor en almacenamiento.

Para añadir combustible al motor:

- Limpie el área alrededor de la tapa del combustible, retire la tapa.
- Agregue lentamente gasolina regular sin contenido de plomo al tanque de combustible.

Importante: Nunca mezcle aceite con gasolina.

- Instale la tapa del combustible y limpie cualquier derrame de gasolina.

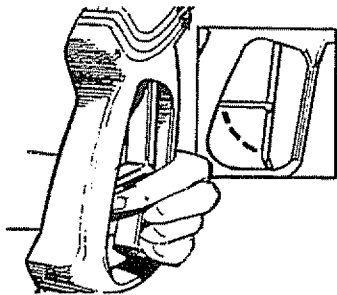
PUESTA EN MARCHA DE SU MAQUINA LAVADORA DE PRESION

- Coloque la máquina lavadora a presión en un área lo suficientemente cerca a una fuente de agua externa que pueda circular a una velocidad de por lo menos 2.2 galones por minuto. Conecte una manguera de jardín a una canilla del agua.
- Revise que la manguera de alta presión esté firmemente conectada a la pistola de rociado y a la bomba. Vea la sección de MONTAJE en la página 4 para las ilustraciones.
- Revise el colador de entrada de la entrada de agua. Si el colador está sucio, límpielo antes de conectar la manguera de jardín. Si el colador está dañado, **no lo conecte** a la manguera de jardín. Reemplacelo con el colador suministrado en el juego de mantenimiento o llame al 1-800-366-PART para ordenar un colador de repuesto.
- Conecte la manguera de jardín a la entrada del agua.
- **Abra el suministro del agua.**

Importante: No haga funcionar la bomba sin que el suministro de agua esté conectado y abierto. Deberá seguir esta precaución o la bomba resultará dañada.

Purgue el aire de la bomba:

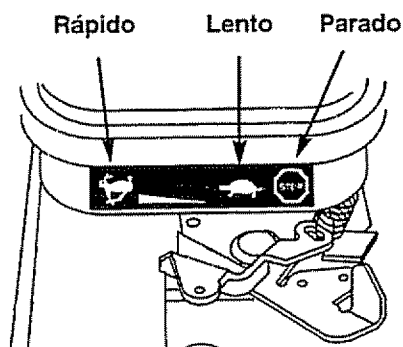
- Conecte la boquilla que desee a la extensión para boquillas.
- Retire la extensión para boquillas de la pistola de rociado.
- **Hale el gatillo de la pistola de rociado y manténgalo oprimido hasta que obtenga una corriente de agua constante.**
- Enganche el cerrojo de seguridad de la pistola de rociado.



- Conecte la extensión para boquillas a la pistola de rociado.

Para darle arranque al motor por primera vez:

- Mueva la palanca de control del regulador a la posición "Fast" (Rápido).



- Oprima (5) veces la perilla del cebador firmemente.
- Agarre la manija de la soga y hálala lentamente hasta que sienta cierta resistencia. Después hale la cuerda rápidamente para superar la compresión, evitar el contragolpe y dar arranque al motor. Permita que la soga regrese **lentamente** al arranque.

Nota: Siempre conserve la Palanca de Control del Regulador en la posición 'Fast' (Rápido) cuando opere la máquina lavadora a presión.

Para darle Arranque al Motor a Partir de ese Momento:

- Asegúrese de que el control del regulador del motor se encuentre en la posición "Fast".
- Oprima 3 veces la perilla del cebador. **Para motores calientes, no use el cebador.**
- Agarre la manija de la soga y hálala lentamente hasta que sienta cierta resistencia. Después hale la cuerda rápidamente para superar la compresión, evitar el contragolpe y dar arranque al motor. Permita que la soga regrese **lentamente** al arranque.
- Si el motor no arranca, hale el gatillo de la pistola hasta obtener una corriente de agua constante, oprima la perilla del cebador tres veces más y hale del arrancador.

Nota: Siempre mantenga la Palanca de Control del Regulador en la posición "Fast" cuando esté usando la máquina lavadora a presión.

COMO DETENER SU MAQUINA LAVADORA A PRESION

- Mueva la palanca de control del regulador a la posición 'Slow' ('Lento').
- Espere que el motor vaya a marcha en vacío.
- Mueva la palanca de control del regulador a la posición 'Stop' ('Parado').
- El simple apagado del motor no elimina la presión del sistema. **Apriete el gatillo de la pistola de rociado para eliminar la presión de la manguera.**

Nota: Una pequeña cantidad de agua saldrá de la pistola de rociado cuando elimine la presión.

USO DEL SIFON

Le recomendamos que **NO** utilice agua estancada como suministro de agua. El agua sucia, contaminada o salobre puede dañar la bomba. Conéctela únicamente al suministro de agua de su casa.

SUGERENCIAS

- Nunca use la entrada de la manguera de jardín para sifonear detergente o cera.
- Si tiene la boquilla de rociado demasiado lejos, la limpieza no será tan efectiva.

MANTENIMIENTO

RESPONSABILIDADES DEL CLIENTE

HORARIO DE MANTENIMIENTO LENE CON FECHAS A MEDIDA QUE VA COMPLETANDO EL SERVICIO REGULAR	INTERVALO DE OPERACION POR HORA			FECHAS DE SERVICIO				
	Antes de cada uso	Cada 25 Horas o Anualmente	Cada 100 Horas o Anualmente					
TAREA DE MANTENIMIENTO								
MAQUINA LAVADORA A PRESION								
Revisar/limpiar el colador de la entrada de agua de la conexión rápida.	X†							
Revisar la manguera de alta presión.	X							
Revisar la manguera de detergente.	X							
Revisar la pistola de rociado y el conjunto para ver si existen fugas.	X							
Purgar la bomba de aire y contaminantes.	X							
MOTOR								
Revisar el nivel de aceite	X							
Cambiar el aceite del motor.		X*						
Dar servicio al depurador de aire.		X**						
Limpiar / reemplazar la bujía.			X					
Preparar para almacenamiento.	Prepare la unidad para almacenamiento si va a estar fuera de servicio por más de 30 días.							

† Limpiar si está obstruido. Reemplazar si está perforado o roto.

* Cambiar el aceite después de las primeras (5) horas y después cada 25 horas. Hacer el cambio de aceite con mayor frecuencia cuando trabaje en condiciones de mucha suciedad o polvo.

** Reemplazar más a menudo bajo condiciones de suciedad o polvo.

PRODUCT SPECIFICATIONS

Pressure Washer Specifications

PRESION.....	1500 psi
VELOCIDAD DE FLUJO.....	2 GPM
MEZCLA DE DETERGENTE.....	Utilice detergente sin diluir.
TEMPERATURA DEL SUMINISTRO DE AGUA.....	Que no exceda los 140F

Engine Specifications

MODELO DEL MOTOR.....	Briggs & Stratton
CABALLOS DE FUERZA.....	3.75
BUJIA: Tipo:.....	Champion RJ-19LM o equivalente. Calibre la Separación a: 0.030 pul- gadas (0.76mm)
CAPACIDAD DE LA GASOLINA.....	1.0 cuartos Americanos
ACEITE.....	Peso SAE 30
SEPARACION DE AIRE DEL ENCENDIDO DE ESTADO SOLIDO.....	0.006 - 0.010 pulgadas

En el estado de California es obligatorio, según la ley, el uso de apagachispas (Sección 4442 del Código de Recursos Públicos de California). Otros estados pueden tener leyes similares. Las leyes federales se aplican en tierras federales.

Nota: Si equipa el motor de su máquina lavadora a presión con un silenciador apagachispas, el apagachispas deberá ser mantenido en condiciones de trabajo efectivas por el operador / propietario.

Usted puede ordenar el apagachispas (P/N 398067) a través de su Centro de Servicio Sears.

RECOMENDACIONES GENERALES

La garantía de la máquina lavadora de alta presión no cubre los elementos que han sido sujetos a abuso o negligencia por parte del operador. Para recibir el valor total de la garantía, el operador deberá mantener la máquina lavadora de alta presión como se indica en este manual.

Algunos ajustes tendrán que hacerse periódicamente para mantener adecuadamente su máquina lavadora de alta presión.

Todos los ajustes de la sección de Servicio y Ajustes de este manual deberán hacerse por lo menos una vez en cada estación.

- Una vez al año, usted deberá limpiar o reemplazar la bujía, reemplazar el filtro de aire, revisar si la extensión para boquillas y las boquillas están desgastadas. Una bujía limpia y un filtro de aire nuevo garantizan una mezcla de combustible-aire adecuada y le ayuda a su motor a funcionar mejor y a tener una vida útil más prolongada.

ANTES DE CADA USO

- Revise si existen daños en el colador de la entrada de agua.
- Revise si existen fugas en la manguera de alta presión.
- Revise si existen daños en el filtro y manguera de entrada del detergente.
- Revise si existen fugas en la pistola o boquillas.
- Purgue la bomba de aire y contaminantes.
- Revise el nivel de aceite del motor.

MANTENIMIENTO DE LA MAQUINA LAVADORA A PRESION

Revise y Limpie el Colador de Entrada

Examine el colador de entrada. Límpielo si está tapado o reemplácelo si está roto.

Revise la Manguera de Alta Presión

La manguera de alta presión puede desarrollar fugas por el desgaste, dobleces o abuso. Revise la manguera antes de cada uso. Revise si existen cortes, fugas, abrasiones, levantamiento de la cubierta, daño o movimiento de los acoplamientos. Si existe cualquiera de estas condiciones, reemplace la manguera inmediatamente.



PELIGRO: Nunca repare la manguera de alta presión. Reemplacela con una manguera que cumpla con la capacidad mínima de presión de su máquina lavadora a presión.

Revise la Manguera del Detergente

Examine el filtro de la manguera de detergente y límpielo si está tapado. La manguera deberá adaptarse con precisión en el ajuste. Revise si la manguera presenta fugas o ruptura. Reemplace el filtro o la manguera si alguno de ellos está dañado.

Revise la Pistola y la Vara

Examine la conexión de la manguera a la pistola y cerciórese de que esté asegurada. Pruebe el gatillo oprimiéndolo y asegurándose de que regresa a su sitio cuando lo suelte. Coloque el cerrojo de seguridad en la posición UP (ARRIBA) y pruebe el gatillo. Usted no deberá ser capaz de oprimir el gatillo. Reemplace la pistola si falla en cualquiera de estas pruebas.

Purgue la Bomba de Aire y Contaminantes

Para retirar el aire de la bomba, siga los siguientes pasos:

- Instale la máquina lavadora a presión como está descrito en la sección de MONTAJE, página 4, y conecte el suministro de agua.
- Retire la extensión para boquillas de la pistola.
- Hale el gatillo de la pistola y manténgalo apretado hasta que obtenga una corriente constante.

Para retirar los contaminantes de la bomba, siga los siguientes pasos:

- Instale la máquina lavadora a presión como está descrito en la sección de MONTAJE y conecte el suministro de agua.
- Retire la conexión para boquillas de la pistola.

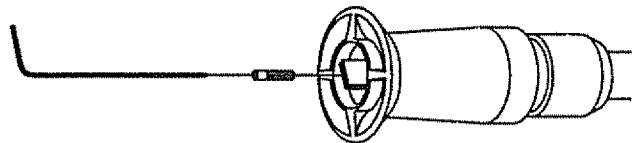
- Ponga en marcha el motor de acuerdo a las instrucciones de la sección OPERACION, página 5.
- Hale el gatillo de la pistola y manténgalo apretado.
- Cuando el suministro de agua sea uniforme y constante, enganche el cerrojo de seguridad y vuelva a instalar la conexión para boquillas.

Mantenimiento de las Boquillas

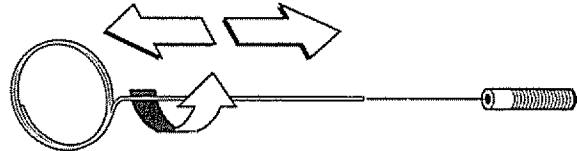
Si la boquilla se obstruye o tapa con materiales extraños, como suciedad, se puede presentar presión excesiva de la bomba. Una boquilla parcialmente tapada puede causar una sensación pulsátil durante el uso. Esto generalmente no es un problema relacionado con la bomba, es más que todo una boquilla tapada o parcialmente obstruida.

Si la boquilla se tapa u obstruye parcialmente, límpiela inmediatamente con el juego suministrado con su máquina lavadora a presión siguiendo estas instrucciones:

- Apague el motor y cierre el suministro de agua.
- Separe la extensión para boquillas de la pistola.
- Gírela a la posición de corriente.
- Retire la boquilla del extremo de la vara usando la llave allen incluida en el juego o una llave allen de 2 mm o 5/64.

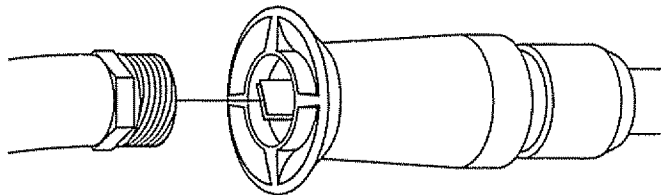


- Use el alambre incluido en el juego o un clip de papel pequeño para liberar los materiales extraños que están tapando u obstruyendo la boquilla.



Introduzca el alambre dentro de la boquilla y gírelo hacia los lados, hacia adelante y atrás hasta despejar la obstrucción.

- Retire la suciedad adicional inyectando el suministro de agua en sentido contrario a través de la vara. Lave de esta forma de 30 a 60 segundos. Gire la vara al rociado de chorro y mueva la boquilla de presión baja a alta mientras hace el lavado.



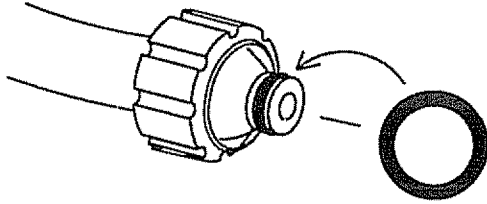
- Vuelva a instalar la boquilla en la vara. NO la apriete demasiado.
- Vuelva a conectar la extensión de la vara a la pistola de rociado.
- Vuelva a conectar el suministro de agua, ABRA el suministro agua y dele arranque al motor.
- Pruebe la máquina lavadora a presión haciéndola funcionar con la boquilla en las posiciones de alta y baja presión.

MANTENIMIENTO DE LOS ANILLOS 'O'

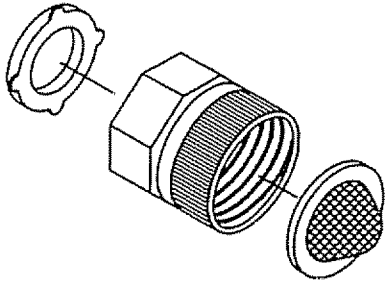
Durante la operación normal de su máquina lavadora a presión, los Anillos 'O', los cuales mantienen apretadas y libres de fugas las conexiones de las mangueras y la pistola, pueden desgastarse o dañarse. Su máquina lavadora a presión viene con un Juego de Mantenimiento para Anillos 'O', el cual proporciona Anillos 'O', Arandela de Caucho y colador para la entrada de agua de repuesto.

Las partes del Juego de Anillos 'O' incluyen:

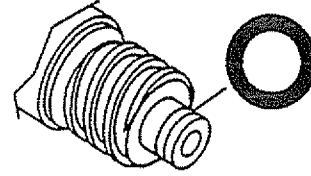
- Anillos 'O', amarillos, (p/n B2264) para los extremos de la manguera de alta presión.



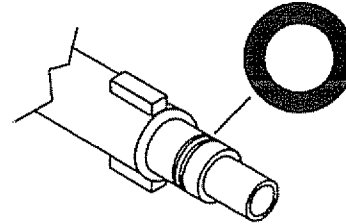
- 1 arandela de caucho (p/n B2385) para la parte interna del conector de la manguera de jardín.
- 1 colador para la entrada de agua (p/n B2384) para el conector de la manguera de jardín.



- Anillo 'O', verde claro, (99794) para las conexiones de accesorios machos.



- Anillo 'O', rojo, (B2726) para la conexión de la extensión para boquillas.



Para retirar un Anillo 'O' desgastado o dañado:

- Utilice un destornillador de cabeza plana pequeño, colóquelo por debajo del anillo 'O' y sáquelo haciendo palanca.

MANTENIMIENTO DEL MOTOR

Revisión del Nivel de Aceite

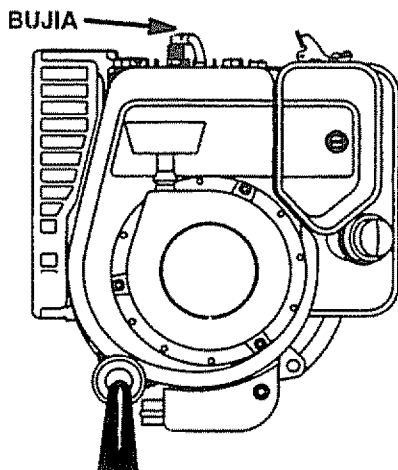
El nivel de aceite deberá revisarse antes de cada uso o por lo menos cada (5) horas de operación. Conserve el nivel de aceite adecuado.

Cambio de Aceite

Cambie el aceite del motor después de las primeras (5) horas y cada 25 horas a partir de ese momento. Si está utilizando su máquina lavadora a presión bajo condiciones de extrema suciedad o polvo, o en un clima demasiado caliente, haga el cambio de aceite más frecuentemente.

Cambie el aceite cuando el motor todavía se encuentre caliente después del funcionamiento, como se indica a continuación:

- Drene el tanque de combustible haciendo funcionar la máquina lavadora a presión hasta que el tanque de combustible esté vacío.
- Limpie el área alrededor del llenado de aceite, retire la tapa del llenado de aceite/varilla de medición. Limpie la varilla de medición.
- Inclíne su máquina lavadora a presión para drenar completamente el aceite a través del tubo de llenado en un recipiente adecuado, asegurándose de inclinar su unidad en dirección contraria a la bujía. Cuando la caja del cigüeñal esté vacía, vuelva a colocar la máquina lavadora a presión en la posición vertical.



- Llene la caja del cigüeñal del motor con el aceite recomendado hasta que el nivel de aceite esté en la marca de **FULL (LLENO)** de la varilla de medición. No llene por encima de esa marca. **VIERTA EL ACEITE LENTAMENTE.**
- Cuando la caja del cigüeñal del motor esté llena a su nivel adecuado, instale y apriete la tapa/varilla de medición de aceite.

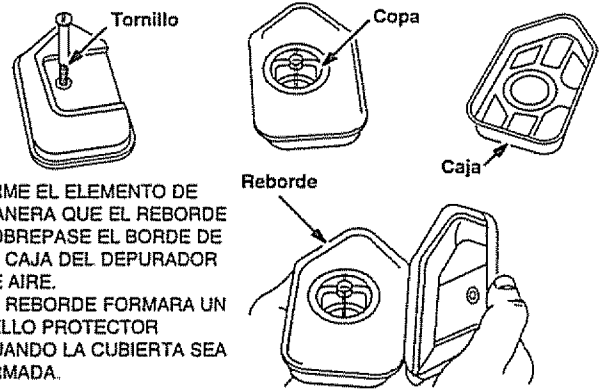
Servicio del Depurador de Aire

Su motor no funcionará adecuadamente y puede dañarse si usted lo hace funcionar con un depurador de aire sucio.

Limpie el depurador de aire cada (25) horas de operación o una vez al año, lo que suceda primero. Límpielo más frecuentemente si la unidad funciona bajo condiciones de mucha suciedad o polvo. Los repuestos están disponibles en su Centro de Servicio Autorizado Sears local.

Para limpiar el depurador de aire, siga los siguientes pasos:

- Retire el tornillo de la cubierta del depurador de aire.



- Retire cuidadosamente el depurador de aire sucio para evitar que suciedad caiga dentro del carburador.
- Desarme el depurador y limpie todas las partes.

Para dar servicio al elemento de espuma, lávelo en detergente líquido y agua. Esprímalo hasta secarlo en un trapo limpio. **Sátúrelo** con aceite para motor limpio. Esprímalo en el trapo limpio para eliminar el exceso de aceite. Reemplace el elemento de espuma si está muy sucio o dañado.

- Vuelva a ensamblar todas las partes y aprietaslas firmemente al carburador con el tornillo.

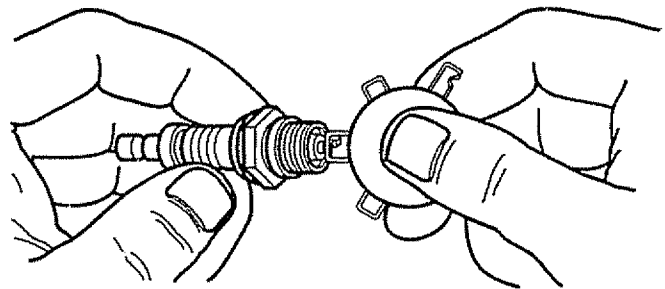
Limpie / Reemplace la Bujía

Limpie o cambie la bujía cada 100 horas de operación o una vez al año.



PRECAUCION: Desconecte el alambre de la bujía y manténgalo alejado de la misma.

- Limpie el área alrededor de la bujía.
- Retire y revise la bujía.
- Cambie la bujía si los electrodos están picados, quemados o si la porcelana está rota. Para su reemplazo, únicamente utilice Champion RJ-19LM.
- Revise la separación del electrodo con un calibre de alambre y ajuste la separación a 0.030" si es necesario.



- Instale la bujía y aprietasla firmemente.

Carburador

Si usted cree que su carburador necesita ajuste, visite su Centro de Servicio Sears más cercano. El funcionamiento del motor no deberá resultar afectado a altitudes de hasta 700 pies. Para operaciones a elevaciones mayores, póngase en contacto con el Centro de Servicio Sears más cercano.

STORAGE

ALMACENAMIENTO

DESPUES DE CADA USO

No deberá haber agua en la unidad por largos períodos de tiempo. Los sedimentos de minerales se pueden depositar en partes de la bomba y "congelar" su funcionamiento. Lleve a cabo estos procedimientos después de cada uso:

- Lave la manguera del detergente colocando el filtro del inyector en un balde de agua limpia mientras hace funcionar la Máquina Lavadora a Presión con la boquilla en el modo de baja presión. Lave hasta que usted vea agua clara corriendo a través del tubo.
- Apague el motor y déjelo enfriar, después retire todas las mangueras.



PRECAUCION: Asegúrese de que la Palanca de Marcha/Parado esté en la posición "Stop" ("Parado") antes de continuar. Puede dañar la bomba si pone en marcha el motor sin el suministro de agua conectado adecuadamente.

- Saque todos los líquidos de la bomba halando la manija de retroceso aproximadamente 6 veces con la palanca de Marcha/Parado en la posición "Stop" (Parado). Esto deberá evacuar la mayoría del líquido de la bomba.
- Enrolle la manguera de alta presión y revísela para ver si presenta daños. Los cortes en la manguera o el desgaste de la misma pueden ocasionar fugas y pérdida de presión. Si encuentra algún daño, reemplace la manguera. NO intente reparar una manguera dañada. Reemplace la manguera con una parte Craftsman genuina.
- Drene el agua de la manguera y cuelguela adecuadamente en el soporte de alambre suministrado con la manija guía.
- Almacénela en un área limpia y seca.



PELIGRO: Nunca almacene el motor con combustible en el tanque en recintos cerrados o en áreas encerradas con poca ventilación donde los vapores puedan alcanzar llamas abiertas, chispas o luces de pilotos.

ALMACENAMIENTO EN INVIERNO



PRECAUCION: Usted deberá proteger su unidad de las temperaturas de congelamiento. Si no lo hace, dañará permanentemente la bomba y la unidad no podrá funcionar.

Para proteger la unidad de las temperaturas de congelamiento:

- Deposite anticongelante RV (anticongelante sin alcohol) en la bomba vertiendo el líquido en un pedazo de manguera de jardín de 3 pies conectado al adaptador de entrada y halando la manija de retroceso dos veces.

ALMACENAMIENTO PROLONGADO

Si usted no planea usar la Máquina Lavadora a Presión por más de 30 días, deberá preparar el motor para un almacenamiento prolongado.

Nota: Como siempre, prepare la bomba de la máquina lavadora a presión como lo haría después de cada uso.

Es importante evitar la formación de depósitos de goma en las partes esenciales del sistema del combustible tales como el carburador, filtro del combustible, manguera o tanque del combustible durante el almacenamiento. También, la experiencia indica que los combustibles con mezclas de alcohol (llamados gasohol, etanol o metanol) pueden atraer la humedad, lo que lleva a la separación y formación de ácidos durante el almacenamiento. La gasolina ácida puede dañar el sistema del combustible de un motor durante el almacenamiento.

Proteja el Sistema de Combustible



PELIGRO: Drene el combustible dentro de un recipiente adecuado, lejos de llamas abiertas y en lugares al aire libre. Asegúrese de que el motor esté frío. No fume.

- Retire toda la gasolina del tanque de combustible para evitar que se formen depósitos de goma en estas partes y causen posible mal funcionamiento del motor.
- Haga funcionar el motor hasta que se detenga por la falta de combustible. Asegúrese que el suministro de agua a la entrada de la bomba esté conectado y ABIERTO (ON).

Cambio de Aceite

Con el motor todavía caliente, drene el aceite de la caja del cigüeñal. Vuelva a llenarlo con el grado de aceite recomendado. (Vea Cambio de Aceite en la Página 12).

Aceite el Diámetro Interior del Cilindro

- Retire la bujía y vierta aproximadamente 1 onza (30 ml) de aceite para motor dentro del cilindro. Cubra el orificio de la bujía con un trapo. Haga girar el motor lentamente para distribuir el aceite.



PRECAUCION: Evite el rociado del orificio de la bujía cuando esté girando el motor lentamente.

- Instale la bujía. No conecte el alambre de la bujía.

OTROS

- No almacene gasolina de una estación a otra.
- Reemplace su caneca de gasolina si comienza a oxidarse. El óxido y/o la suciedad en la gasolina le causará problemas.
- Si es posible, almacene su unidad en un recinto cerrado y cúbrala para protegerla del polvo y la suciedad.
ASEGURESE DE VACIAR EL TANQUE DEL COMBUSTIBLE.
- Cubra su unidad con una cubierta de protección adecuada que no retenga la humedad.

IMPORTANTE: NUNCA cubra su máquina lavadora a presión cuando el motor y el área del escape estén calientes.

REPARACION DE AVERIAS

PROBLEMA	CAUSA	SOLUCION
La bomba presenta los siguientes problemas: no produce presión o produce una presión errada, traqueteo, pérdida de presión, bajo volumen de agua.	<ol style="list-style-type: none"> 1. La boquilla está en el modo de baja presión. 2. La entrada de agua está bloqueada. 3. Suministro de agua inadecuado. 4. La manguera de entrada está doblada o presenta fugas. 5. El colador de entrada de agua está tapado. 6. El suministro de agua está por encima de los 140F. 7. La manguera de salida está bloqueada. 8. La manguera de salida presenta fugas. 9. La pistola presenta fugas. 10. La boquilla está obstruida. 11. Bomba defectuosa. 	<ol style="list-style-type: none"> 1. Mueva la boquilla hacia atrás para el modo de alta presión. 2. Limpie la entrada. 3. Proporcione flujo de agua adecuado de por lo menos 2 gpm. 4. Estire la manguera de entrada, coloque un parche en la fuga. 5. Reemplace / limpie el colador de la entrada de agua. 6. Proporcione suministro de agua más fría. 7. Retire las obstrucciones de la manguera de salida. 8. Reemplace la manguera de salida si presenta fugas. 9. Reemplace el anillo 'o' o la pistola si es necesario. 10. Limpie la boquilla. 11. Póngase en contacto con el Departamento de Servicio Sears.
El detergente no se mezcla.	<ol style="list-style-type: none"> 1. La línea del detergente no está sumergida en el rociado del detergente. 2. El filtro del químico está tapado. 3. La boquilla está en el modo de alta presión. 	<ol style="list-style-type: none"> 1. Introduzca la línea de químicos en el detergente. 2. Limpie o reemplace el filtro/línea de detergente. 3. Mueva la boquilla hacia adelante para el modo de baja presión.
El motor funciona bien cuando no se está rociando, pero se apaga cuando comienza a rociar.	La velocidad del motor es demasiado lenta.	Póngase en contacto con el Departamento de Servicio Sears.
El motor no arranca; o arranca y funciona mal.	<ol style="list-style-type: none"> 1. Depurador de aire sucio. 2. Sin gasolina. 3. Gasolina vieja. 4. El alambre de la bujía no está conectado. 5. Bujía mala. 6. Agua en la gasolina. 7. Estrangulación excesiva o inundado. 8. Mezcla de combustible demasiado rica. 9. Válvula de entrada trabada en la posición abierta o cerrada. 10. El motor ha perdido compresión. 	<ol style="list-style-type: none"> 1. Limpie o reemplace el depurador de aire. 2. Llene el tanque de combustible. 3. Drene el tanque de gasolina; llénelo con combustible fresco. 4. Conecte el alambre a la bujía. 5. Reemplace la bujía. 6. Drene el tanque de gasolina; llénelo con combustible fresco. 7. Coloque la palanca de control de la válvula de regulación del motor en la posición rápida, cebador en la posición de marcha. 8. Póngase en contacto con el Departamento de Servicio Sears. 9. Póngase en contacto con el Departamento de Servicio Sears. 10. Póngase en contacto con el Departamento de Servicio Sears.
El motor se apaga durante la operación.	<ol style="list-style-type: none"> 1. Sin gasolina. 2. Filtro de aire sucio. 	<ol style="list-style-type: none"> 1. Llene el tanque de combustible. 2. Reemplace el filtro de aire.
El motor no tiene fuerza.	Filtro de aire sucio.	Reemplace el filtro de aire.

**Para la Lista de Partes,
Vea el Manual en Inglés.**

**Para la Lista de Partes,
Vea el Manual en Inglés.**

**Para la Lista de Partes,
Vea el Manual en Inglés.**

**Para la Lista de Partes,
Vea el Manual en Inglés.**

**Para la Lista de Partes,
Vea el Manual en Inglés.**

**Para la Lista de Partes,
Vea el Manual en Inglés.**

**Para la Lista de Partes,
Vea el Manual en Inglés.**

**Para la Lista de Partes,
Vea el Manual en Inglés.**

**Para la Lista de Partes,
Vea el Manual en Inglés.**

**Para la Lista de Partes,
Vea el Manual en Inglés.**

**Para la Lista de Partes,
Vea el Manual en Inglés.**

**Para la Lista de Partes,
Vea el Manual en Inglés.**

**Para la Lista de Partes,
Vea el Manual en Inglés.**

Briggs & Stratton Corporation (B&S), la Junta Directiva de Recursos del Aire de California (CARB) y la Agencia de Protección Ambiental de los Estados Unidos (U.S. EPA) - Sistema de Control de Emisiones, Declaración de Garantía (Derechos y Obligaciones del Propietario de la Garantía por Defectos)

Para proteger el medio ambiente, los motores Briggs & Stratton que cumplan con los estrictos requisitos de emisión estarán marcados con la siguiente leyenda "Este motor cumple con las Leyes de Control de Emisiones de California de 1995-1998 para motores ULGE y las leyes de U.S. EPA Fase 1 para motores pequeños para uso fuera de carreteras". EL CUBRIMIENTO DE LA GARANTIA DEL CONTROL DE EMISIONES ES APLICABLE UNICAMENTE A MOTORES CERTIFICADOS COMPRADOS EN CALIFORNIA A PARTIR DE 1995, QUE SEAN USADOS EN CALIFORNIA Y A MOTORES CERTIFICADOS AÑO 1997 Y MODELOS POSTERIORES QUE SEAN COMPRADOS Y USADOS EN CUALQUIER PARTE DEL TERRITORIO DE LOS ESTADOS UNIDOS.

Declaración de la Garantía Contra Defectos del Control de Emisiones en California y los Estados Unidos

CARB, U.S. EPA y B&S están complacidos de explicarles la Declaración de la Garantía Contra Defectos del Control de Emisiones de su equipo de jardín, césped o servicio (ULGE) año 1996 o posterior. En California, los motores ULGE nuevos producidos en o después del 1 de agosto de 1995, deberán estar diseñados, construidos y equipados para cumplir con los exigentes estándares anti-smog del Estado. Los motores nuevos de encendido por chispa para uso fuera de carreteras certificados para modelos año 1997 y posteriores, usados en las otras partes del territorio de los Estados Unidos, deberán cumplir estándares similares establecidos por U.S. EPA. B&S deberá garantizar el sistema de control de emisiones de su motor por los períodos de tiempo listados más adelante, con tal de que no haya existido abuso, descuido o mantenimiento incorrecto de su motor ULGE.

Su sistema de control de emisiones incluye partes como el carburador, depurador de aire, sistema de encendido, silenciador y convertidor catalítico. También podrían estar incluidos conectores y otras partes relacionadas con las emisiones. Donde exista cualquier condición en que se pueda aplicar la garantía, B&S reparará su motor ULGE sin costo alguno para usted, incluyendo diagnóstico, partes y mano de obra.

Cubrimiento de la Garantía de Briggs and Stratton Contra Defectos en el Control de Emisiones

Los motores ULGE tienen garantía en las partes relacionadas con el control de emisiones por un período de dos años, sujetos a las disposiciones establecidas más adelante. Si cualquier parte de su motor, cubierta por la garantía, es defectuosa, la parte será reparada y reemplazada por B&S.

Responsabilidades de Garantía del Propietario

Como propietario de un motor ULGE, usted es responsable por el cumplimiento del mantenimiento exigido, el cual se encuentra listado en su Manual del Operador/Propietario. B&S recomienda que conserve todos los recibos relacionados con el mantenimiento de su motor ULGE; sin embargo, B&S no puede negar tal garantía por la sola ausencia de dichos recibos o porque usted no se haya asegurado de que el mantenimiento programado haya sido llevado a cabo. Como propietario de un motor ULGE, debe saber que B&S podría negarle cubrimiento de garantía si su motor ULGE, o una parte, ha fallado debido a abuso, negligencia, mantenimiento incorrecto o modificaciones no aprobadas.

Usted es responsable de presentar su motor ULGE a un Distribuidor de Servicio Autorizado B&S tan pronto como el problema aparezca. Las reparaciones de garantía sin disputa deberán ser terminadas en un período de tiempo razonable sin exceder 30 días. Si tiene preguntas con respecto a sus derechos y responsabilidades de garantía, deberá ponerse en contacto con un Representante de Servicio B&S llamando al 1-414-259-5262.

La garantía de emisiones es una garantía contra defectos. Los defectos son considerados como tales bajo condiciones de funcionamiento normal. La garantía no es relacionada con pruebas de emisiones durante el uso.

Disposiciones de la Garantía contra Defectos del Control de Emisiones de Briggs and Stratton

Las siguientes son las disposiciones específicas relacionadas con su Cubrimiento de Garantía contra Defectos del Control de Emisiones. Esta es adicional a la garantía del motor B&S para motores no regulados, la cual se encuentra en el Manual del Operador / Propietario.

1. Partes Garantizadas

El cubrimiento bajo esta garantía se extiende únicamente a la partes listadas a continuación (las partes del sistema de control de emisiones) e incluye aquellas parte que estaban presentes en el motor comprado.

- a. Sistema de Medición de Combustible
 - Sistema de mejoramiento para arranque en frío (cebador blando)
 - Carburador y partes internas
 - Bomba del Combustible
- b. Sistema de Inducción de Aire
 - Depurador de aire
 - Múltiple de admisión
- c. Sistema de Encendido
 - Bujías
 - Sistema de encendido por magneto
- d. Sistema catalizador
 - Convertidor catalítico
 - Múltiple de Escape
 - Sistema de inyección de aire o válvula de pulsación
- e. Elementos Misceláneos Usados en los Sistemas Anteriores
 - Vacío, temperatura, posición, tiempo, válvulas sensitivas e interruptores
 - Conectores y Conjuntos

2. Duración del Cubrimiento

B&S garantiza al propietario inicial y a cada comprador subsecuente que las Partes Garantizadas estarán libres de defectos en materiales y mano de obra que hayan causado la falla de las Partes Garantizadas por un período de dos años a partir de la fecha en que el motor es entregado al comprador al detal.

3. No Cargos

La reparación o el reemplazo de cualquier Parte Garantizada será llevada a cabo sin cargo alguno para el propietario, incluyendo trabajo de diagnóstico que lleve a la conclusión de que una Parte Garantizada es defectuosa, con tal de que el trabajo de diagnóstico sea realizado en un Distribuidor de Servicio Autorizado B&S. Para servicio de garantía relacionado con el sistema de emisiones, póngase en contacto con su Distribuidor Autorizado B&S listado en las "Páginas Amarillas" bajo "Motores, Gasolina", "Motores a Gasolina", "Segadoras de Césped" o cualquier categoría similar.

4. Reclamos y Exclusiones del Cubrimiento

Los reclamos de garantía deberán ser presentados de acuerdo a las disposiciones de la Política de Garantía del Motor B&S. El cubrimiento de la garantía será excluido para fallas de Partes Garantizadas que no sean partes originales B&S o cuando haya existido abuso, negligencia o mantenimiento incorrecto, como es establecido en la Política de Garantía del Motor B&S. B&S no es responsable de cubrir fallas de Partes Garantizadas causadas por el uso de partes modificadas, partes que no sean originales o adiciones.

5. Mantenimiento

Cualquier Parte Garantizada que no esté programada para reemplazo, según lo requerido por el programa de mantenimiento, o que esté programada únicamente para inspección regular bajo la condición de "repare o reemplace cuando sea necesario", será garantizada contra defectos por el período de la garantía. Cualquier Parte Garantizada que esté programada para reemplazo, según lo requerido por el programa de mantenimiento, será garantizada contra defectos únicamente por el período de tiempo hasta el primer reemplazo programado de dicha parte. Cualquier parte de reemplazo que sea equivalente en cuanto a funcionamiento y durabilidad puede ser usada en cualquier mantenimiento o reparación. El propietario es responsable de llevar a cabo todo el mantenimiento requerido, según la definición del Manual del Operador / Propietario de B&S.

6. Cubrimiento Consecuencial

El cubrimiento bajo esta cláusula será extendido a la falla de cualquier componente del motor causada por la falla de cualquier Parte Garantizada que todavía se encuentre bajo garantía.

For in-home major brand repair service:

Call 24 hours a day, 7 days a week

1-800-4-MY-HOMESM (1-800-469-4663)

Para pedir servicio de reparación a domicilio – 1-800-676-5811

In Canada for all your service and parts needs call – **1-800-665-4455**
Au Canada pour tout le service ou les pièces

For the repair or replacement parts you need:

Call 7 am – 7 pm, 7 days a week

1-800-366-PART (1-800-366-7278)

Para ordenar piezas con entrega a domicilio – 1-800-659-7084

For the location of a Sears Parts and Repair Center in your area:

Call 24 hours a day, 7 days a week

1-800-488-1222

**For information on purchasing a Sears Maintenance Agreement
or to inquire about an existing Agreement:**

Call 9 am – 5 pm, Monday – Saturday

1-800-827-6655



The Service Side of SearsSM